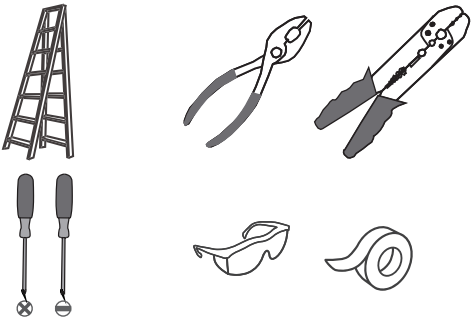
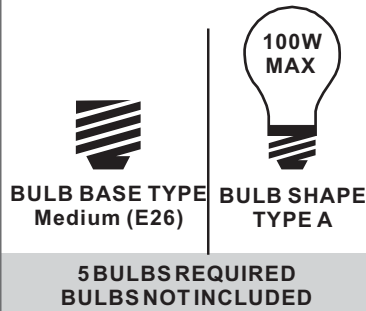


Tools Required



Light Source



**Fixture Height Adjustable
25" to 61"**

⚠ Warnings and Cautions

Turn off the electricity at the circuit breaker before installation. Consult a licensed electrician if in doubt about installation.

Turn off power to the fixture and allow the bulbs to cool before replacing.

Package Contents

Preparation: Identify and inspect all parts before beginning the installation.

Missing or damaged parts? Contact your original place of purchase.

PARTS BAG

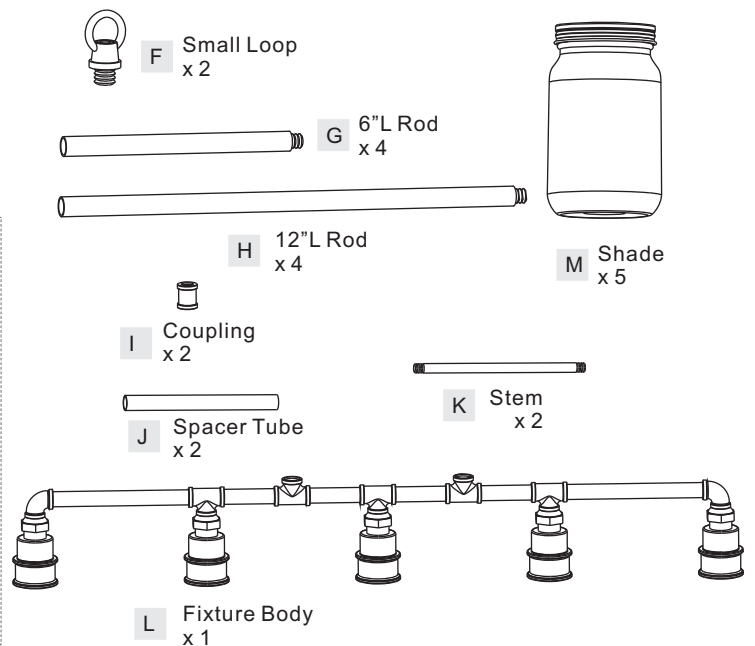
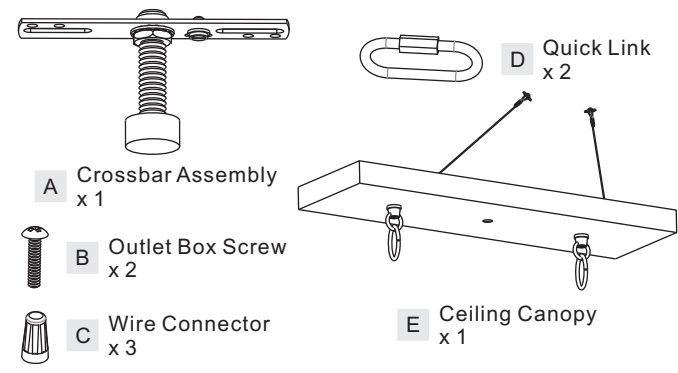
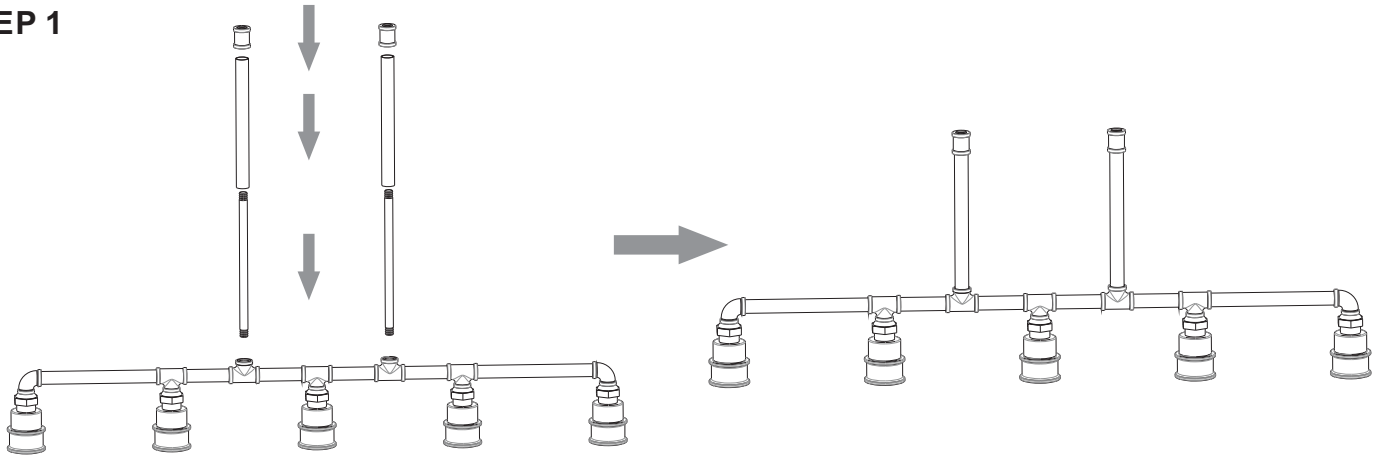


Table of Contents

Fixture Body STEP 1	Rods&Small Loop STEP 2	Crossbar Assembly STEP 3	Quick Link STEP 4
Lanyard STEP 5	Wiring STEP 6	Ceiling Canopy STEP 7	Bulb&Shade STEP 8

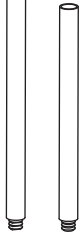
STEP 1



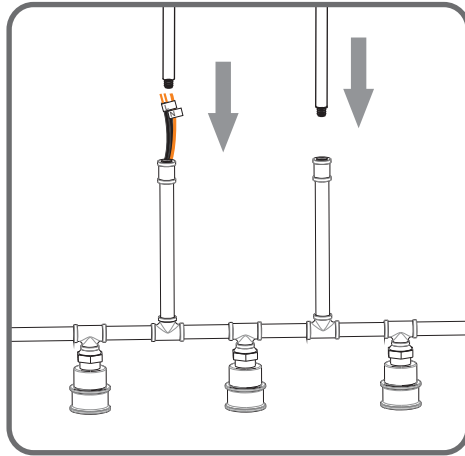
STEP 2

Optional Rods

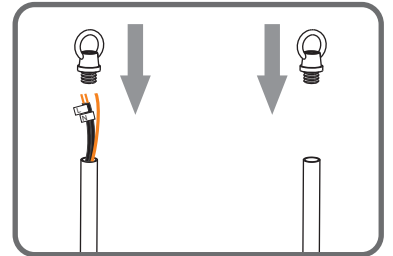
- 8' ceiling:
(4) 6"L rods
- 9' ceiling:
(4) 6"L + (2) 12"L rods
- 10' ceiling:
(4) 6"L + (4) 12"L rods



1



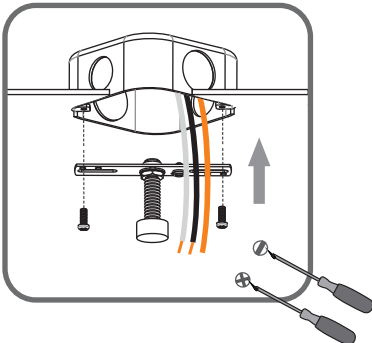
2



STEP 3

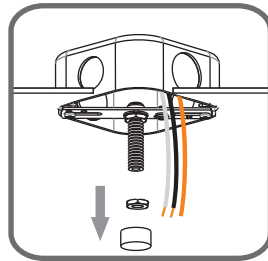
1

Step 1
Install crossbar assembly

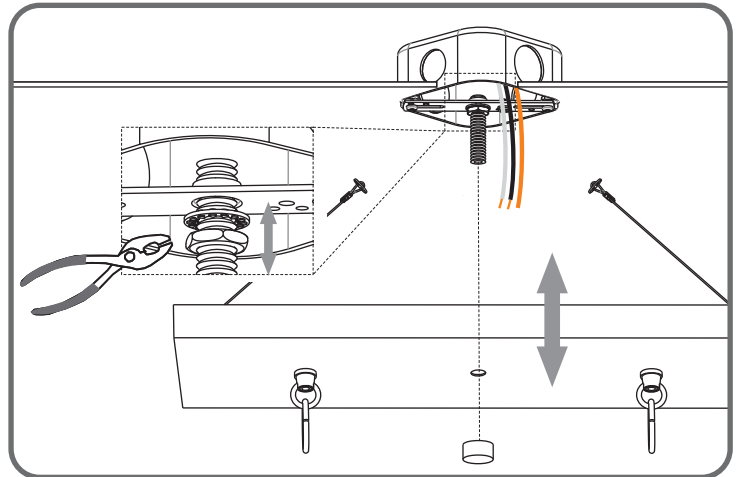


2

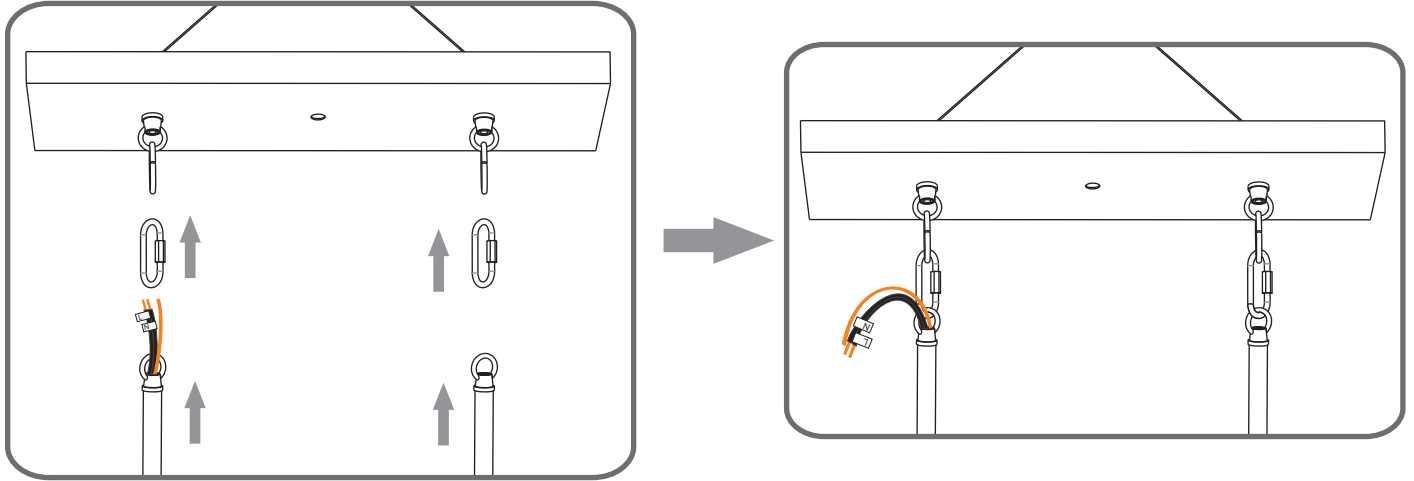
Step 2 - 3
Test fitting ceiling canopy to nipple



3



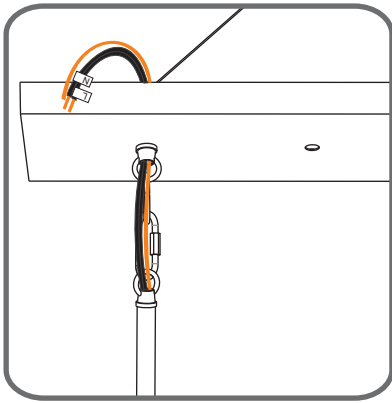
STEP 4



STEP 5

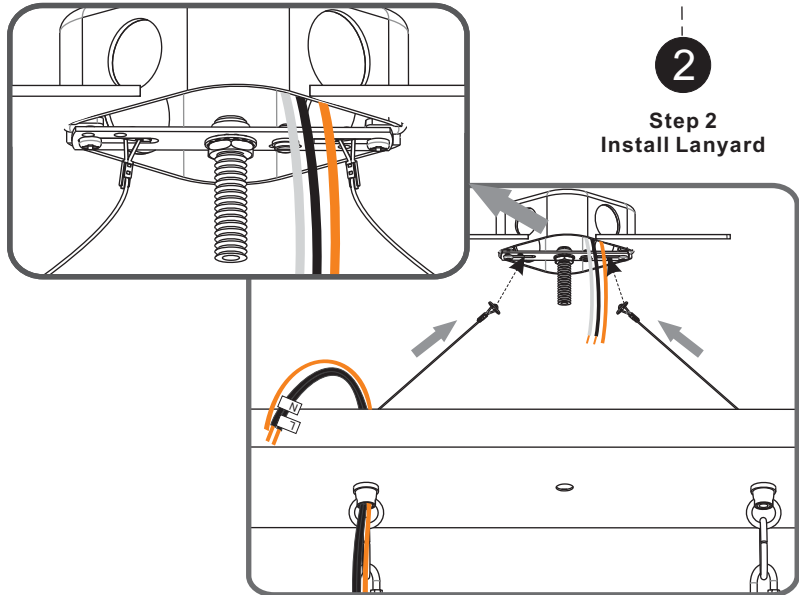
1

Step 1
Feed the fixture wires
through the ceiling canopy

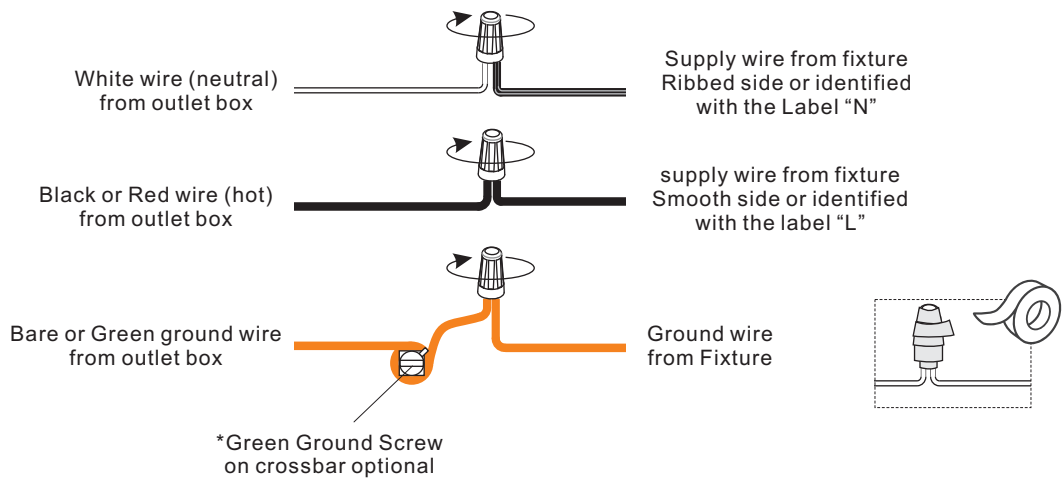


2

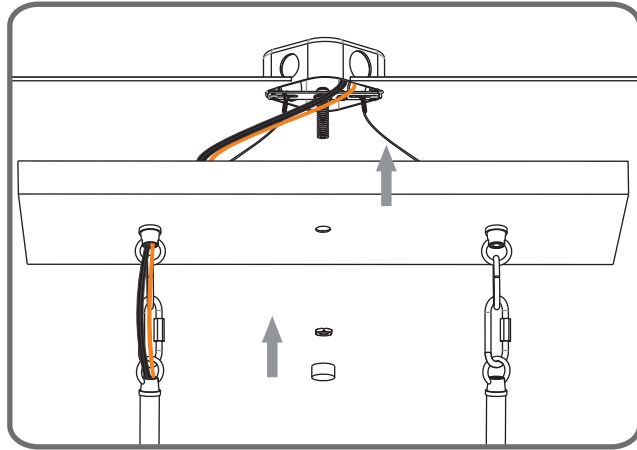
Step 2
Install Lanyard



STEP 6

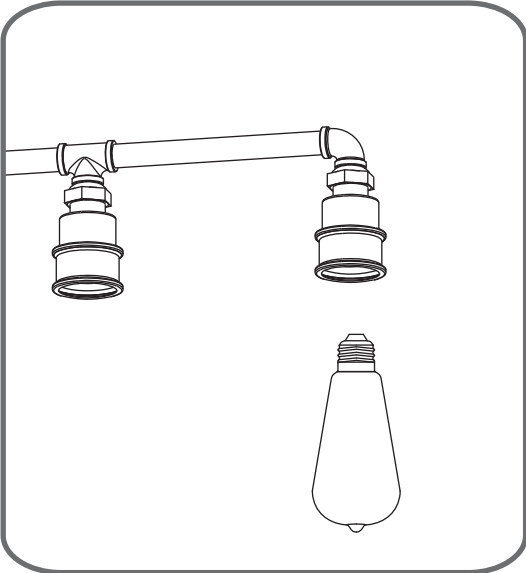


STEP 7



STEP 8

OPTION 1



OPTION 2

