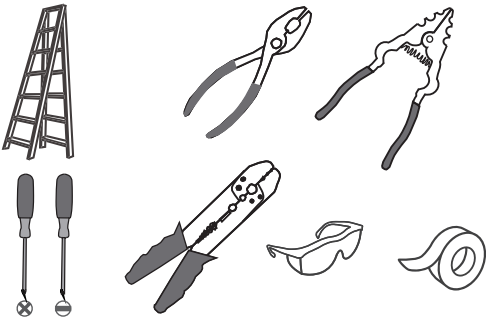
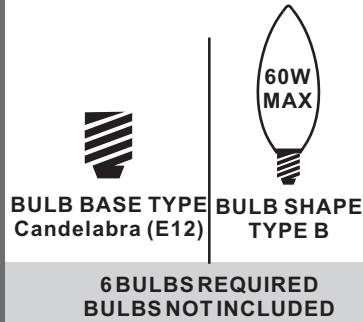


**Tools Required**



**Light Source**



**Fixture Height Adjustable**  
33" to 129"

**⚠ Warnings and Cautions**

Turn off the electricity at the circuit breaker before installation. Consult a licensed electrician if in doubt about installation.

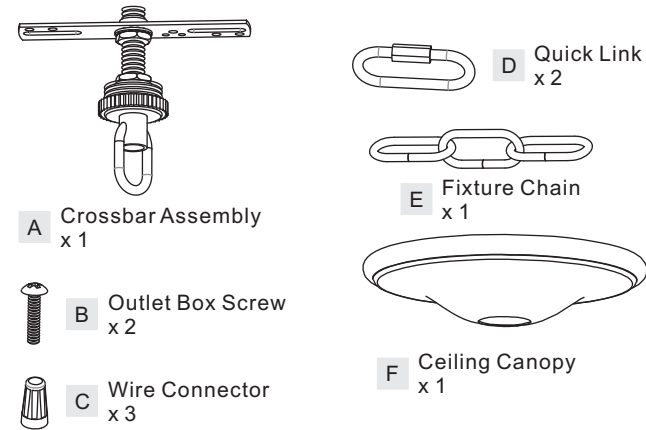
Turn off power to the fixture and allow the bulbs to cool before replacing.

**Package Contents**

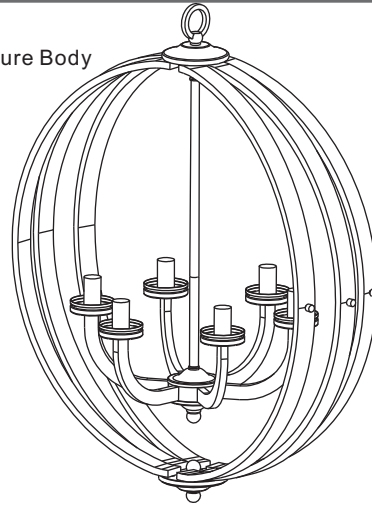
**Preparation:** Identify and inspect all parts before beginning the installation.

Missing or damaged parts? Contact your original place of purchase.

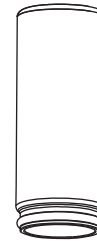
**PARTS BAG**



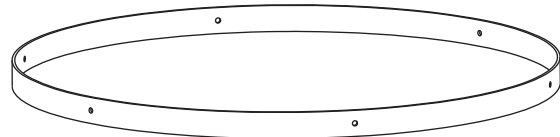
**G** Fixture Body  
x 1




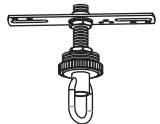

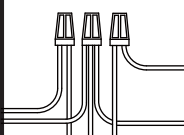


**H** Shade  
x 6



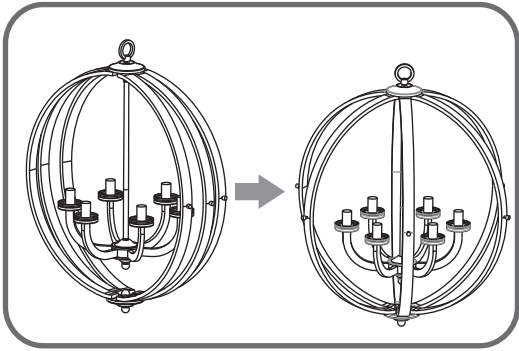
**I** Ring  
x 1



**Table of Contents**

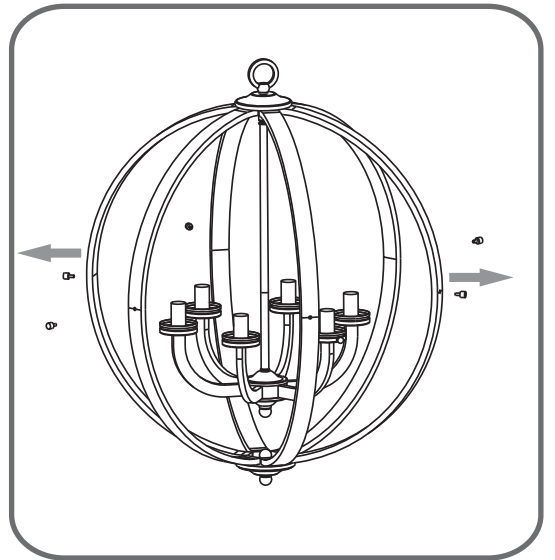
Fixture Body	Crossbar Assembly	Fixture Chain	Wiring	Ceiling Canopy	Bulb
					
<b>STEP 1</b>	<b>STEP 2</b>	<b>STEP 3</b>	<b>STEP 4</b>	<b>STEP 5</b>	<b>STEP 6</b>

**STEP 1**

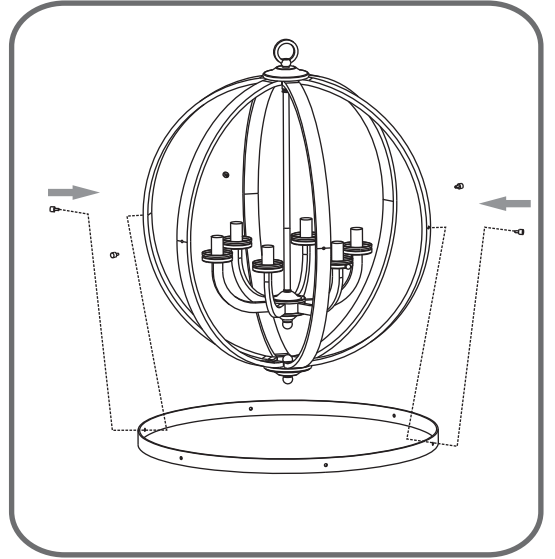


1

2



3



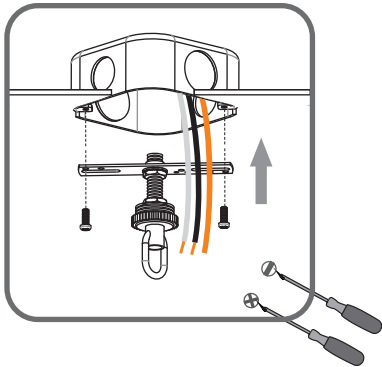
**STEP 2**

1

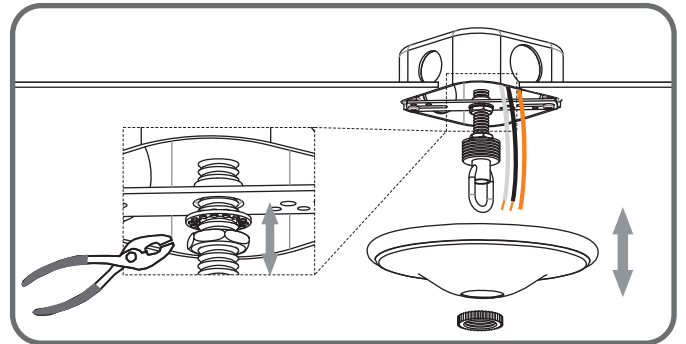
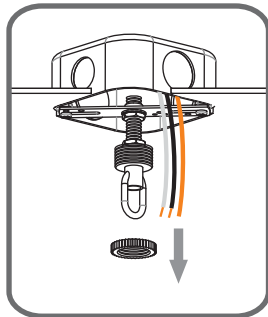
2

3

**Step 1**  
Install crossbar assembly



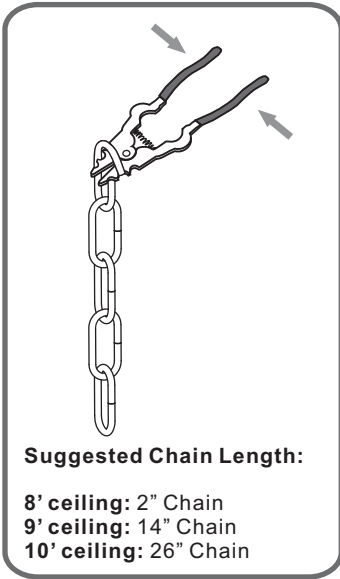
**Step 2 - 3**  
Test fitting ceiling canopy to nipple



## STEP 3

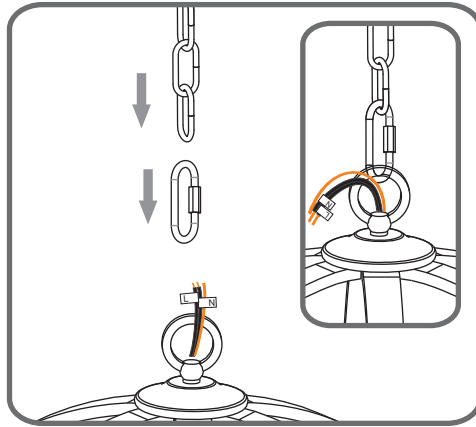
1

**Step 1**  
Adjust fixture chain length

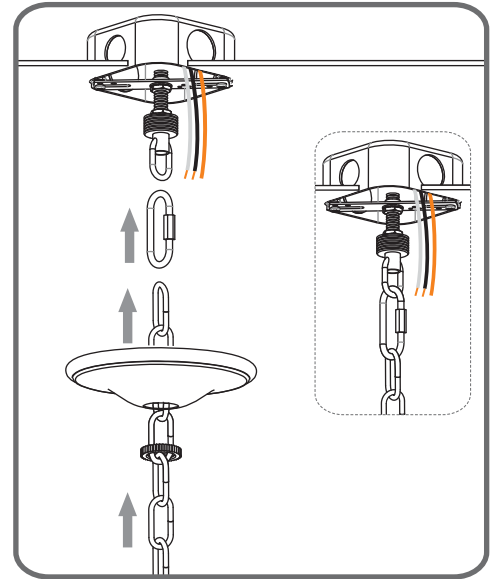


2

**Step 2 - 3**  
Install Fixture Chain



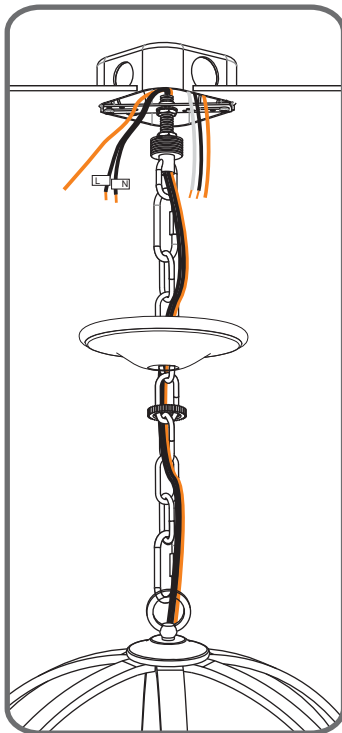
3



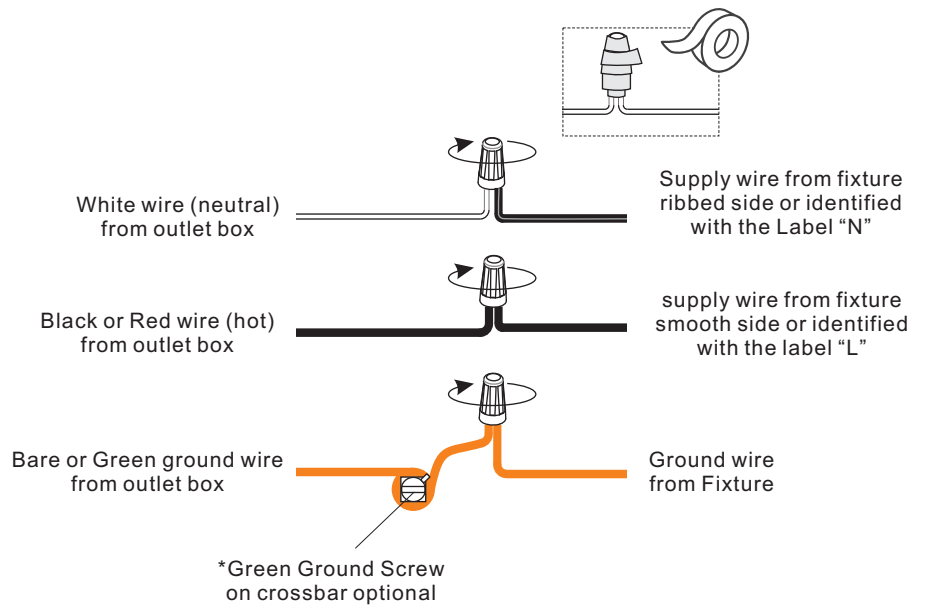
## STEP 4

1

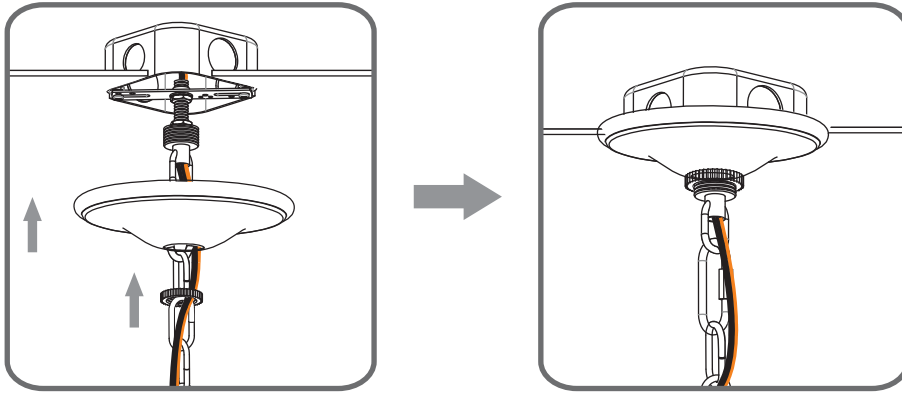
**Step 1**  
Feed the fixture wires  
through the loop



2



**STEP 5**



**STEP 6**

