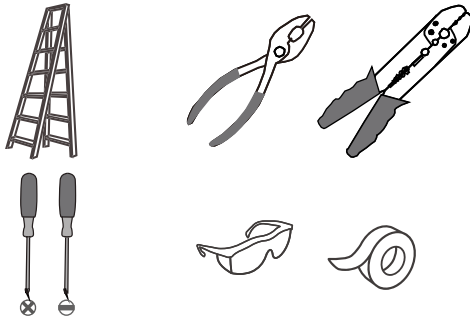
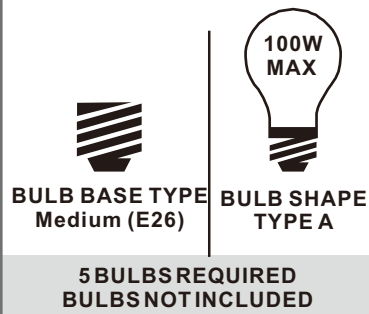


**Tools Required**



**Light Source**



**Fixture Height Adjustable 28.75" to 64.75"**

**Warnings and Cautions**

Turn off the electricity at the circuit breaker before installation. Consult a licensed electrician if in doubt about installation.

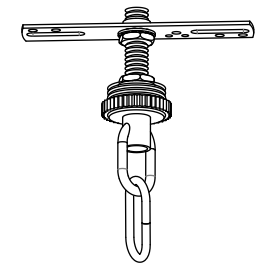
Turn off power to the fixture and allow the bulbs to cool before replacing.

**Package Contents**

**Preparation:** Identify and inspect all parts before beginning the installation.

Missing or damaged parts? Contact your original place of purchase.

**PARTS BAG**



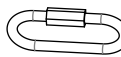
**A** Crossbar Assembly x 1



**B** Outlet Box Screw x 2



**C** Wire Connector x 3



**D** Quick Link x 1



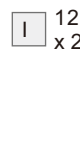
**E** Ceiling Canopy x 1



**F** Small Loop x 1



**G** 6" L Rod x 2



**I** 12" L Rod x 2



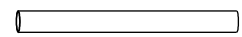
**K** Coupling x 1



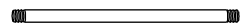
**J** Check Ring x 1



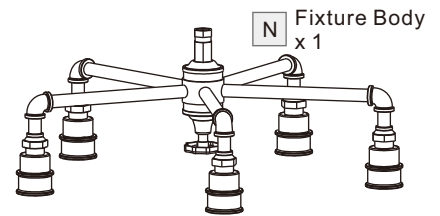
**H** Shade x 5



**M** Spacer Tube x 1



**L** Stem x 1

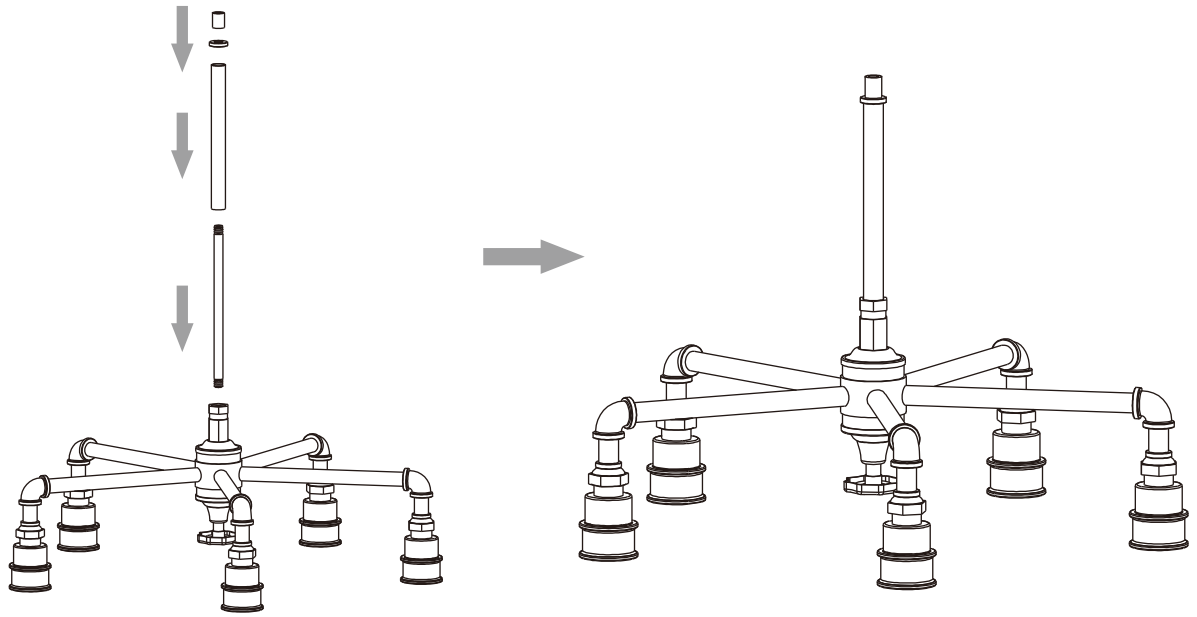


**N** Fixture Body x 1

**Table of Contents**

Fixture Body	Rods & Small Loop	Crossbar Assembly	Quick Link	Wiring	Ceiling Canopy	Bulb
<b>STEP 1</b>	<b>STEP 2</b>	<b>STEP 3</b>	<b>STEP 4</b>	<b>STEP 5</b>	<b>STEP 6</b>	<b>STEP 7</b>

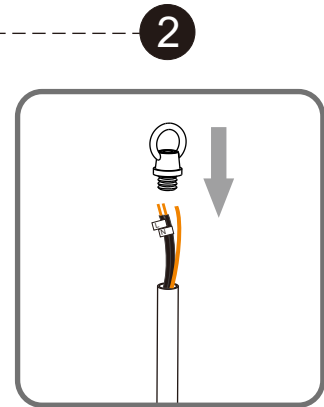
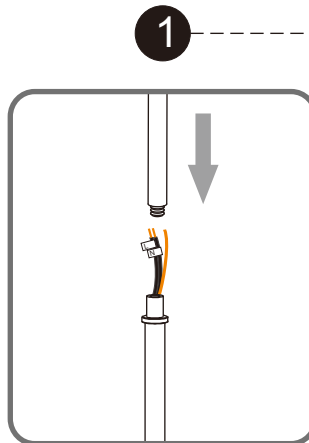
# STEP 1



# STEP 2

**Optional Rods**

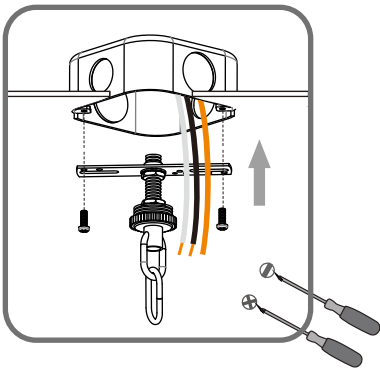
- 8' ceiling:**  
(1) 6" L rods
- 9' ceiling:**  
(1) 6" L + (1) 12" L rods
- 10' ceiling:**  
(1) 6" L + (2) 12" L rods



# STEP 3

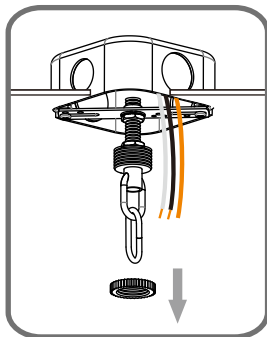
**1**

**Step 1**  
Install crossbar assembly

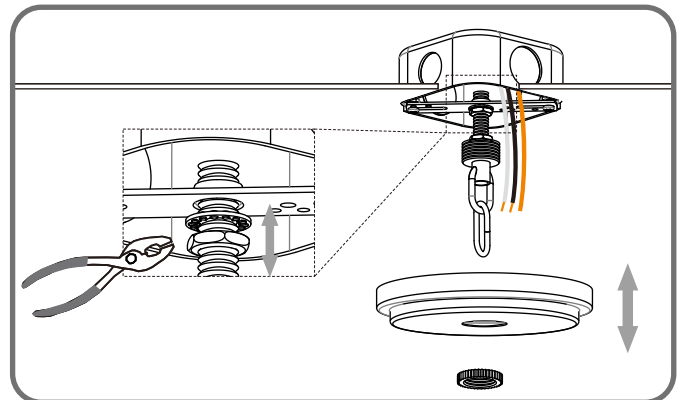


**2**

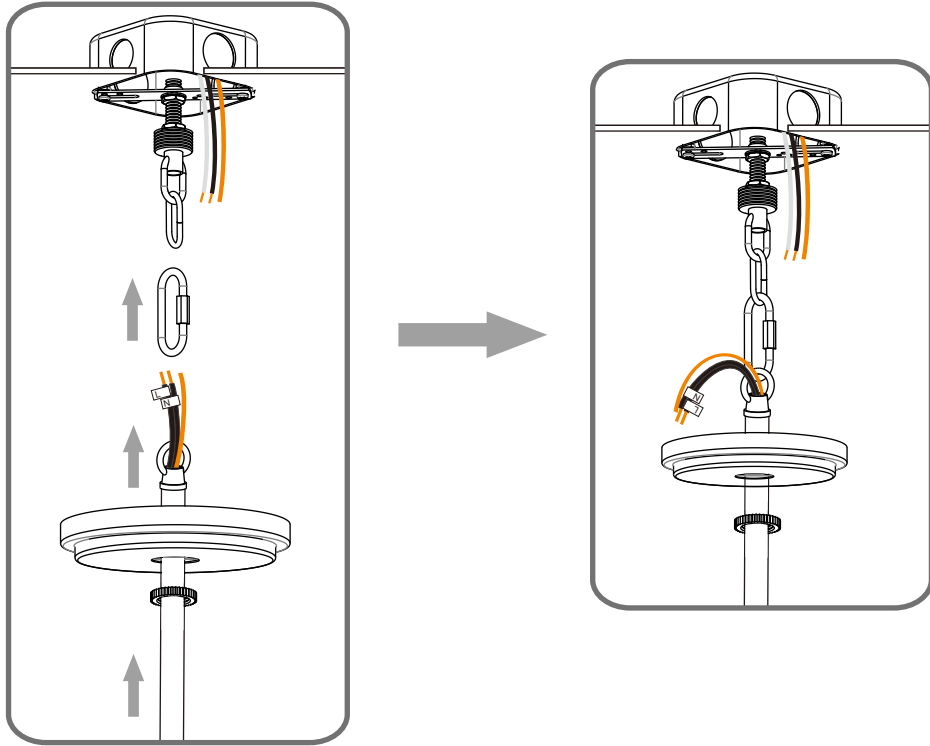
**Step 2 - 3**  
Test fitting ceiling canopy to nipple



**3**



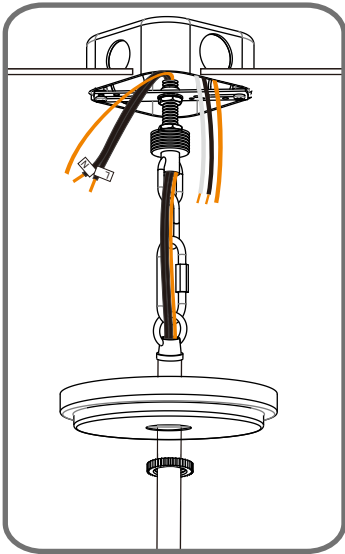
# STEP 4



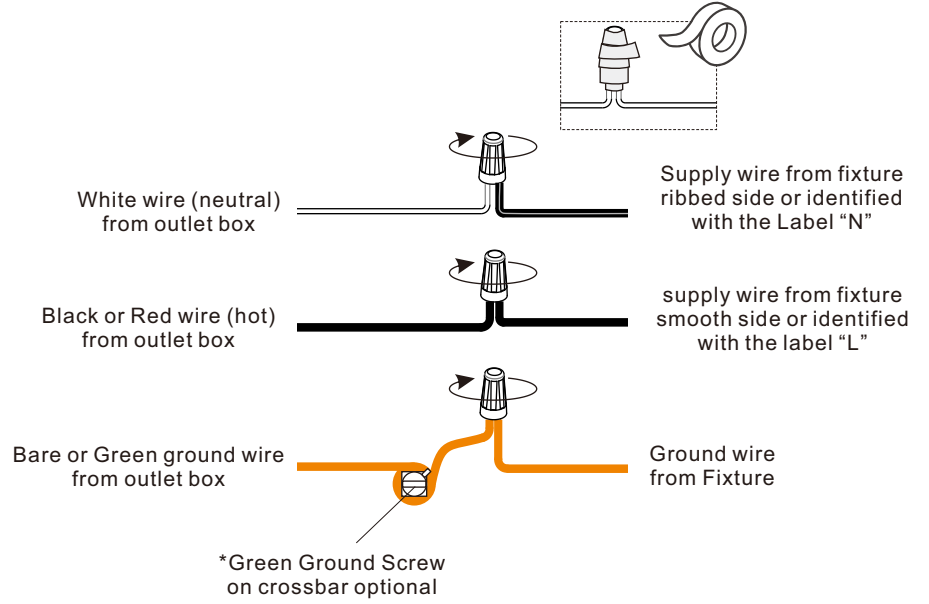
# STEP 5

1

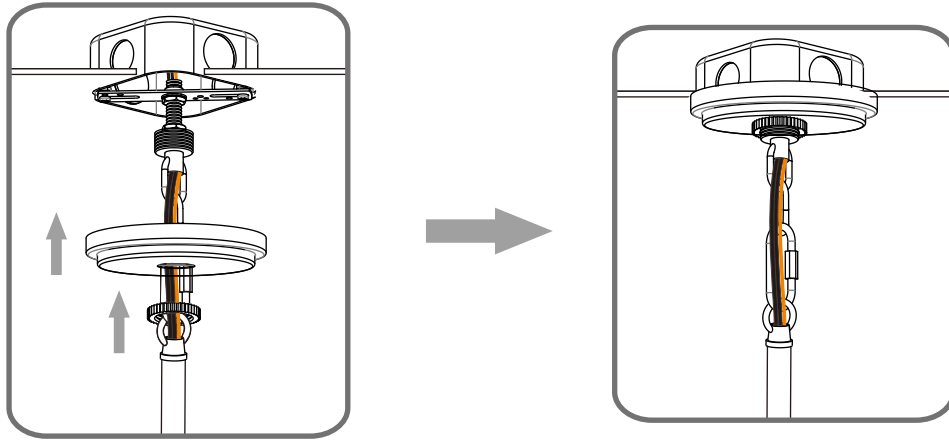
Step 1  
Feed the fixture wires  
through the loop



2



**STEP 6**



**STEP 7**

**OPTION 1**

**OPTION 2**

