

Please go to [www.quoizel.com](http://www.quoizel.com) for product cleaning tips. Go to the **Care + Maintenance** selection.

**Tools Required:** Flathead screwdriver, Phillips screwdriver, pliers, wire cutters, wire strippers, electrical tape, safety glasses.

**Light Source:** (1) A19 Medium Base 100W bulb Maximum, bulb not included.

**Fixture Hanging Height:** Minimum Hanging Height is 9", Maximum Hanging Height is 46.5".

**Estimated Assembly Time:** 30-45 minutes

**Preparation:** Identify and inspect all parts before beginning installation. Check package content list and diagrams below to be sure all parts are present. If any parts are missing or damaged, do not attempt to assemble, install, or operate the fixture. Missing Parts? Contact your original place of purchase.

### ⚠ Warnings and Cautions

Turn off electricity at circuit breaker or main fuse box before installation. Consult a licensed electrician if in doubt.

These instructions are provided for your safety. It is very important you read them completely before installing the fixture. We strongly recommend that a licensed, professional electrician perform the installation.

Disconnect fixture from power source before replacing bulbs. Make sure bulbs are given sufficient time to cool before removal.

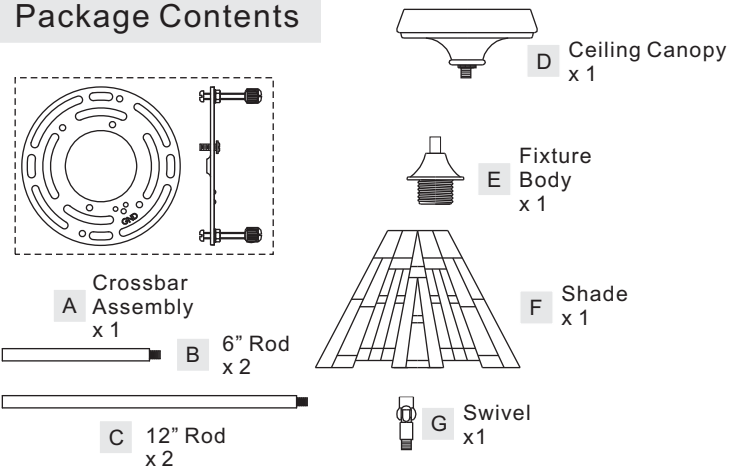
### ⚠ Care of Tiffany Style Shade

A new tiffany lamp shade has an oil film applied to the shade that protects the tiffany shade from scratches during shipment. If the oil applied is too heavy you can remove the excess oil film with a paper towel. Gently wipe away the excess oil.

For general cleaning of tiffany shades use a gentle lemon oil-based furniture polish applied to a soft cloth and wipe gently.

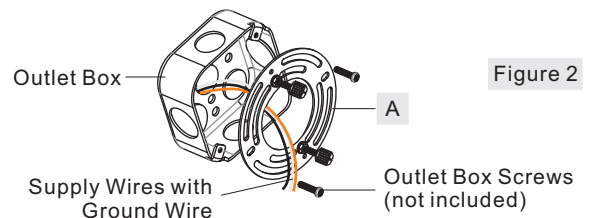
If a white powder appears on the soldered joints of the tiffany shade this is a normal oxidation process. Use a small amount of lemon oil or mineral oil applied directly to oxidized areas and the soldered area will return to like new.

### Package Contents



### STEP 2A - Installing the Crossbar Assembly

A. Pass the supply wires from outlet box through the Crossbar Assembly (A). Attach the Crossbar Assembly (A) to the Outlet Box with the head of the Green Ground Screw facing you. Secure the Crossbar Assembly (A) with Outlet Box Screws (not included). Tighten until snug.

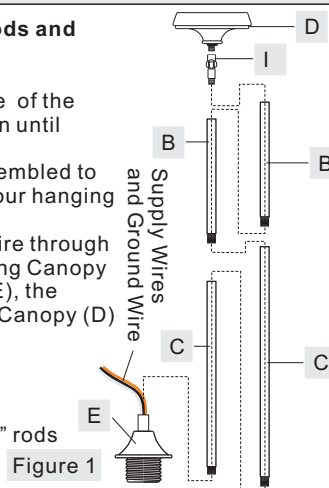


### Assembly Instructions for Pendant Light (Step 1A - Step 6A)

#### STEP 1A - Install Ceiling Canopy, Rods and Fixture Body together

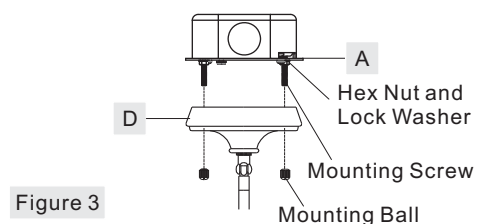
- Thread the Swivel (I) onto the Nipple of the Ceiling Canopy (D) and hand tighten until snug.
- Determine the Rods (B/C) to be assembled to the Fixture Body (E) according to your hanging height.
- Pass the supply wires and ground wire through the chosen rods (B/C) and the Ceiling Canopy (D). Thread the Socket Assembly (E), the chosen Rods (B/C) and the Ceiling Canopy (D) together. Hand tighten until snug.

Suggested rods for Ceiling height :  
8' ceiling : use (2) 12" rods  
9' ceiling : use (2) 6" rods and (2) 12" rods



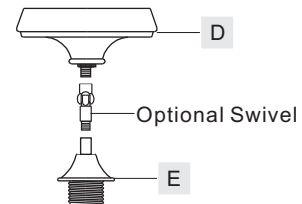
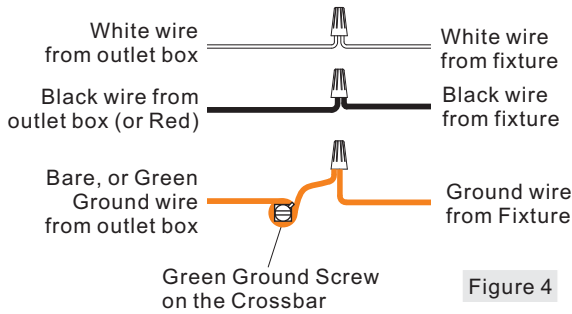
#### STEP 3A - Test Fitting Ceiling Canopy to Crossbar Assembly

A. Remove mounting balls from the Crossbar Assembly (A). Fit the Ceiling Canopy (D) to the Crossbar Assembly (A) and secure with mounting balls. Note: The Ceiling Canopy (D) should be snug against the ceiling and the mounting balls. If not, adjust the length of the nipple on the Crossbar Assembly (A) by unscrewing the preassembled hex nut and lock washer and then screwing the mounting screws in or out of the crossbar until the correct length is achieved. Once the Ceiling Canopy (D) is secure, remove the mounting ball and Ceiling Canopy (D) and proceed to Step 4.

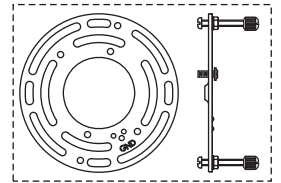


### STEP 4A - Wire Connections

- Wrap bare or green ground wire around green ground screw on the crossbar, no less than 2 inches from the end of the wire. Tighten the green ground screw.
- Use standard wire connectors (not included) to make all wire connections. Twist connectors until wires are tightly joined together. Wrap each connection with approved electrical tape and carefully stuff all the connected wires into the Outlet Box.

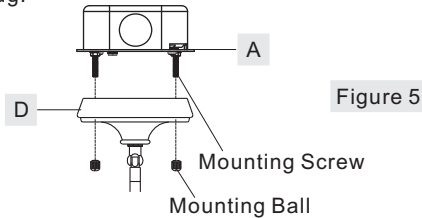


TFMK1508VA  
FINISH: VALIANT BRONZE

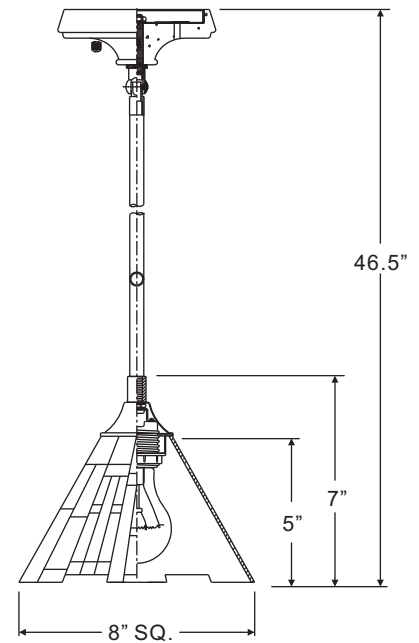
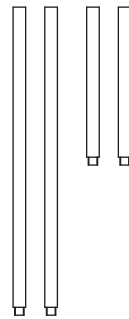


### STEP 5A - Install the Fixture

- Carefully tuck all wires into the outlet box and position the Ceiling Canopy (D) over the outlet box. Align the holes in the Ceiling Canopy (D) with the mounting screws, then attach the Ceiling Canopy (D) using the previously removed mounting balls. Hand tighten until snug.

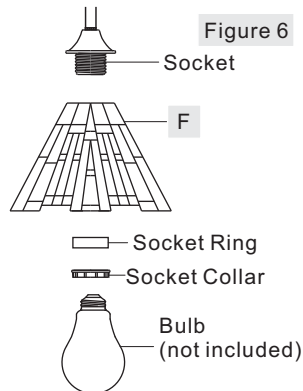


### PENDANT LIGHT



### STEP 6A - Install Shades and Bulb

- Remove Socket Ring and Socket Collar from socket.
- Place Shade (F) and Socket Ring over socket and secure with previously removed Socket Collar. Hand tighten until snug.
- Insert bulb onto socket and screw snugly into place.

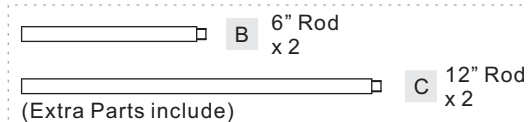


Your fixture is now assembled and ready to use. Enjoy!

### SEMI-FLUSH

#### Assembly Instructions for Semi-flush Light

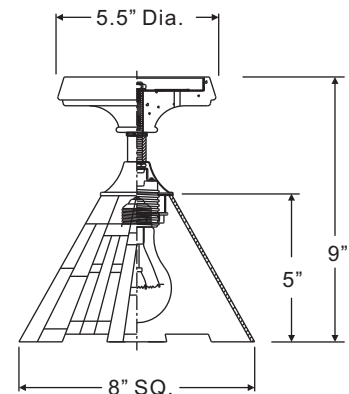
Part B and Part C will not be used in the assembly of the Semi-Flush Light fixture. Please set aside these parts.



### STEP 1B - Install Ceiling Canopy to Socket Assembly

- The swivel is optional and can be removed. See Figure 1B. Pass the supply wires with the ground wire through (swivel if used) and ceiling canopy (D). Thread (swivel if used) and ceiling canopy (D) onto the Fixture Body (E). Hand tighten until snug. Cut the wires leaving approximately 6" of wire extending from the ceiling canopy.

**After completing Step 1B refer to the Steps 2A to 6A to complete the installation.**



NOTE: ALL DIMENSIONS ARE ROUNDED UP TO THE NEAREST 1/4"