

**SAFETY INFORMATION**

Released Date: 2021-10-09

**READ ALL INSTRUCTIONS BEFORE INSTALLATION**

Please read and understand this entire manual before attempting to assemble, install or operate the product.

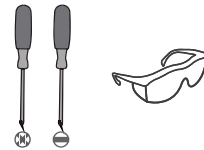
**WARNING**

- **WARNING:** When using outdoor use portable luminaries, basic safety precautions should always be followed to reduce the risk of fire, electric shock, and personal injury, including the following:
  - 1) Use only three-wire outdoor extension cords that have three-prong grounding plugs and grounding receptacles that accept the appliance's plug.
  - 2) Ground Fault Circuit Interrupter (GFCI) protection is to be provided on the circuit(s) or outlet(s) to be used for the wet location portable luminaries. Receptacles are available having built-in GFCI protection and are able to be used for this measure of safety.
  - 3) Use only with an extension cord for outdoor use, such as an extension cord of cord type SEW, SEOW, SEOOW, SOW, SOOW, STW, STOW, STOOW, SJEW, SJEOW, SJEOOW, SJW, SJOW, SJOOW, SJTW, SJTOW, or SJTOOW.
- **RISK OF ELECTRIC SHOCK** - Before beginning installation, turn off electricity at the circuit breaker box or the main fuse box.
- **RISK OF FIRE** - Use bulbs specified by the markings and/or labels on the fixture.

**CAUTION**

- For your safety, read instructions completely before beginning installation.
- If in doubt about electrical installation, consult a licensed electrician.
- Turn off electricity to fixture before replacing the bulb(s).

**TOOLS REQUIRED**

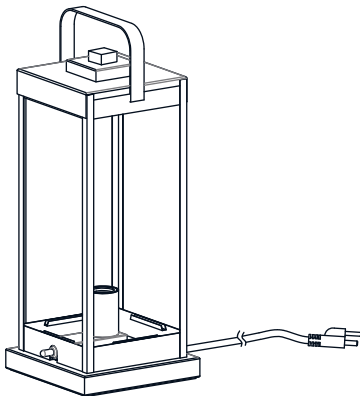


**CARE AND MAINTENANCE**

- Wipe clean using soft, dry cloth or static duster. Always avoid using harsh chemicals and abrasives to clean fixture as they may damage the finish.

If you need further assistance call Quoizel Customer Care at 1-800-645-3184 (9:00am - 5:00pm EST), or visit us on-line at [www.quoise.com](http://www.quoise.com).

**PACKAGE CONTENTS**



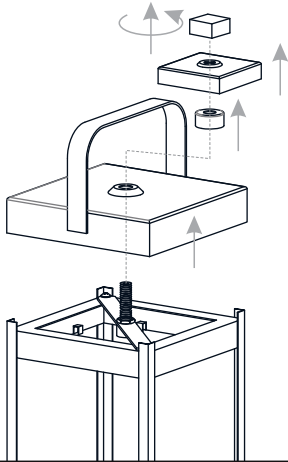
**A** Fixture Body  
x 1



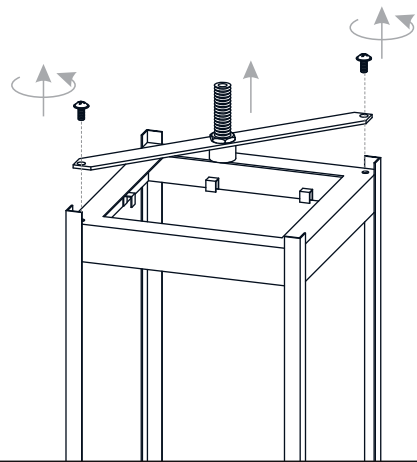
**B** Glass Panel  
x 4

# INSTALLATION

## 1 Remove the Hood from Fixture Body

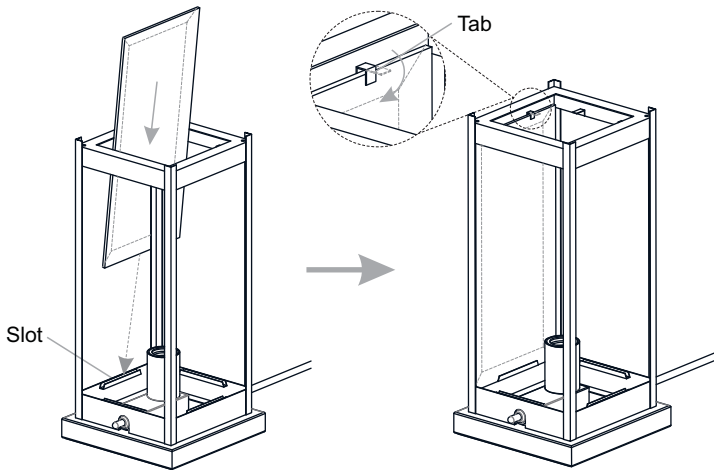


## 2 Remove the Bar



## 3 Install Glass Panels

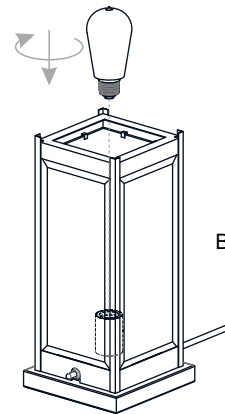
\* Bevel side is outside.



## 4 Install Bulb

Install the correct bulb referring to fixture markings and/or labels for maximum wattage.

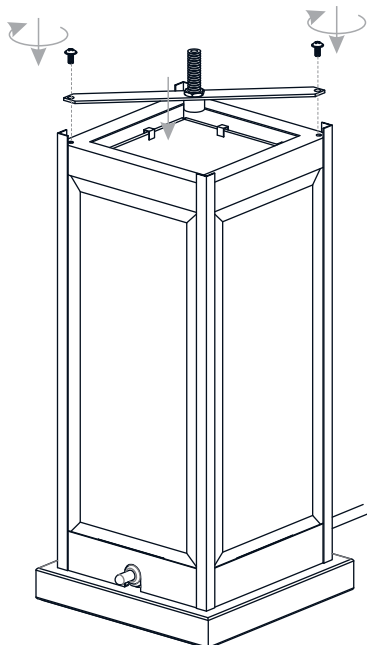
**Recommended Bulb Type (not included):**



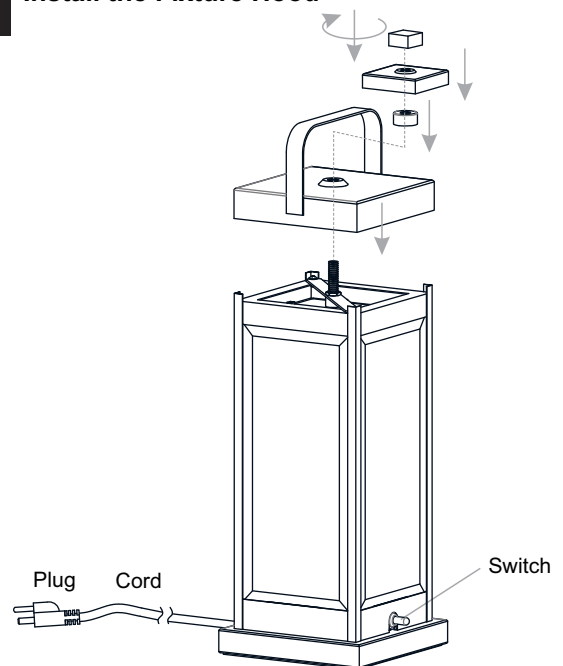
**BULB BASE TYPE**  
Medium (E26)

**BULB TYPE**  
TYPE A  
100W MAX

## 5 Install the Bar



## 6 Install the Fixture Hood



**Your installation is now complete!**

**Insert the plug onto the wall outlet and push the switch to light your fixture on/off.**

**Save this instruction sheet for future reference.**