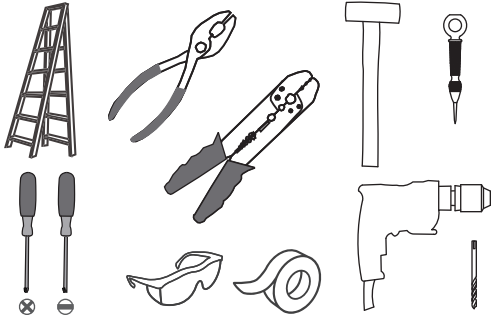
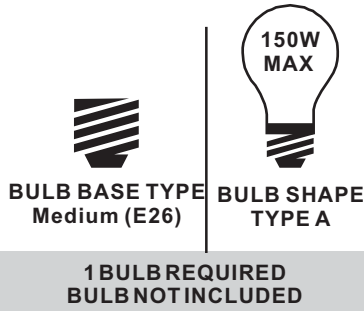


Tools Required



Light Source



Warnings and Cautions

Turn off the electricity at the circuit breaker before installation. Consult a licensed electrician if in doubt about installation.



Turn off power to the fixture and allow the bulbs to cool before replacing.

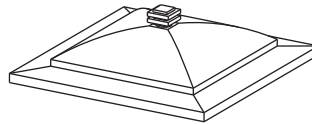
Package Contents

Preparation: Identify and inspect all parts before beginning the installation.

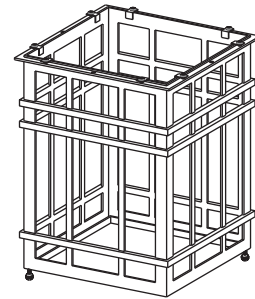
Missing or damaged parts? Contact your original place of purchase.

PARTS BAG

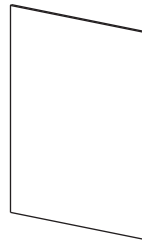
-  **A** Mounting Screw x 3
-  **B** Wire Connector x 3



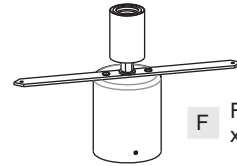
C Fixture Hood x 1



E Cage x 1

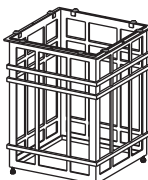


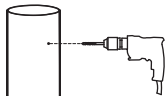
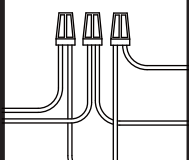



D Glass Panel x 4



F Fixture Body x 1

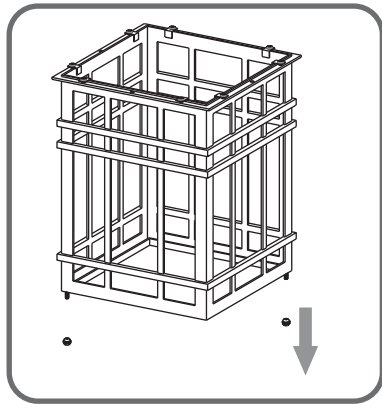
Table of Contents

Cage	Glass Panels	Fixture Hood	Drill Holes	Wiring	Fixture Body
					
STEP 1	STEP 2	STEP 3	STEP 4	STEP 5	STEP 6

STEP 1

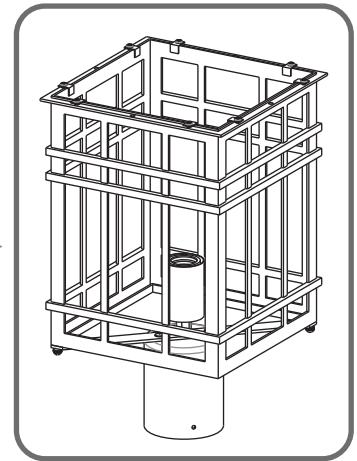
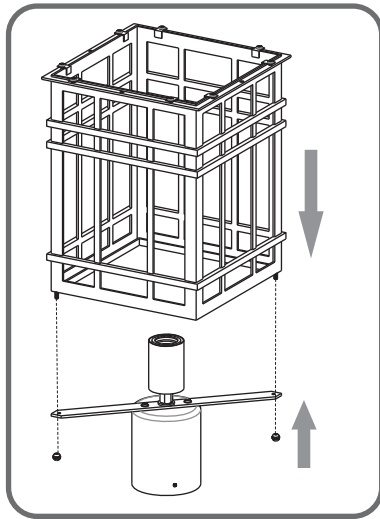
1

Remove Lock Balls



2

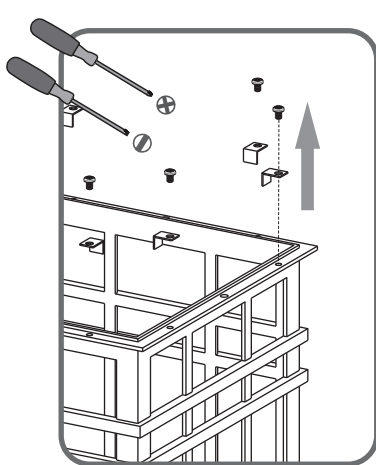
Install Cage



STEP 2

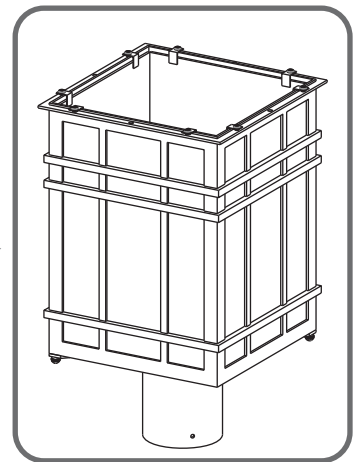
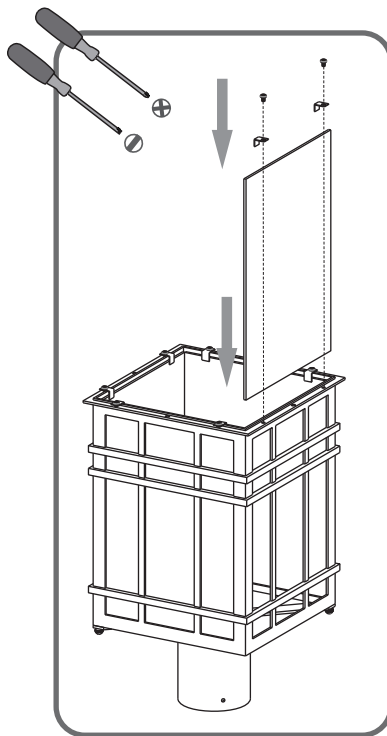
1

Remove Lock Screws and Tabs



2

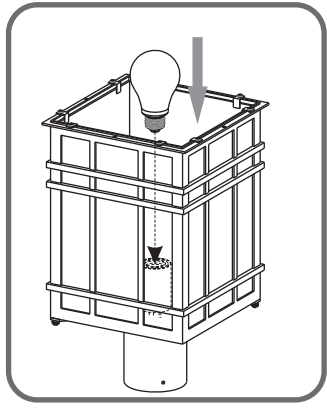
Install Glass Panel



STEP 3

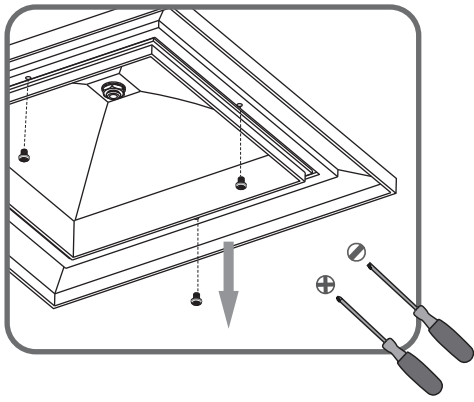
1

Remove the cage



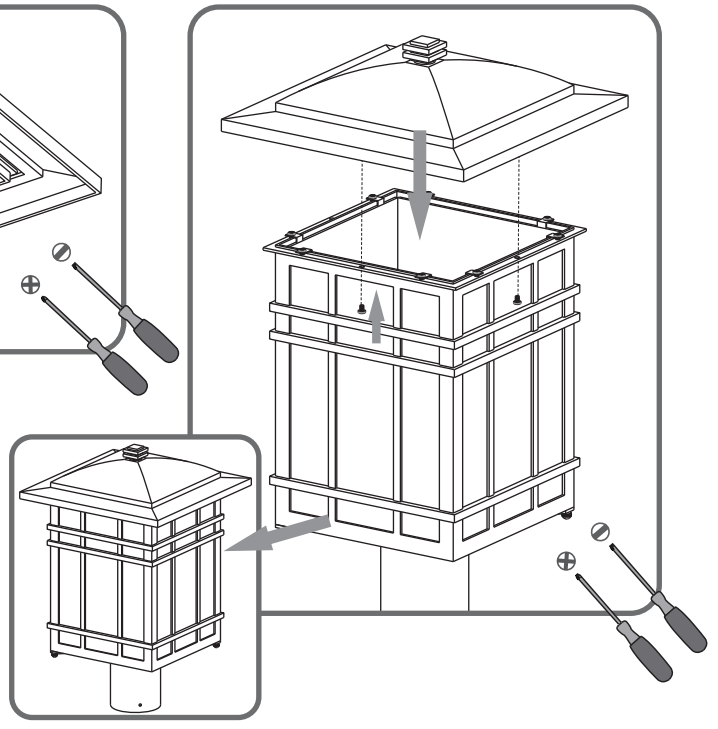
2

Remove screws from fixture hood



3

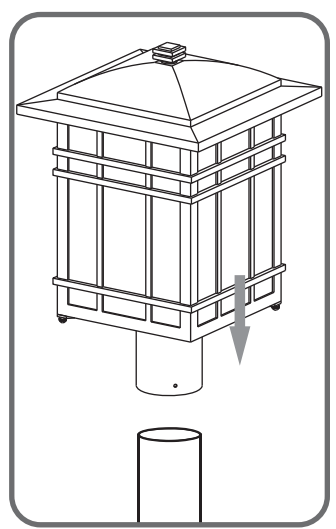
Install fixture hood



STEP 4

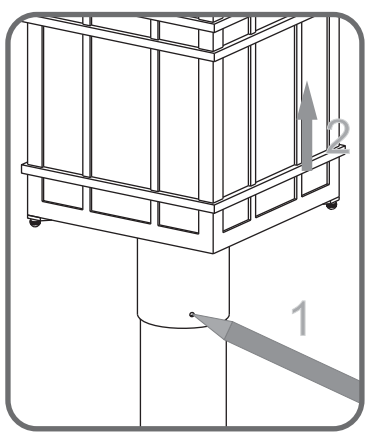
1

**Step 1
Place Post Fitter to Post**

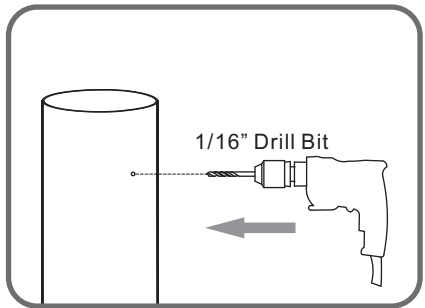
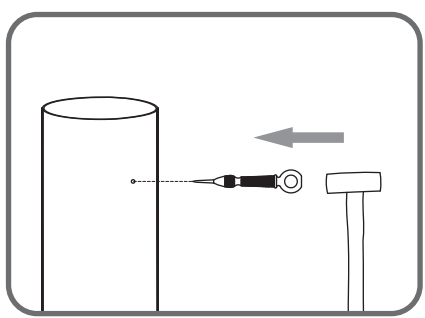


2

**Step 2-3
Mark Mounting Holes Location on Post**



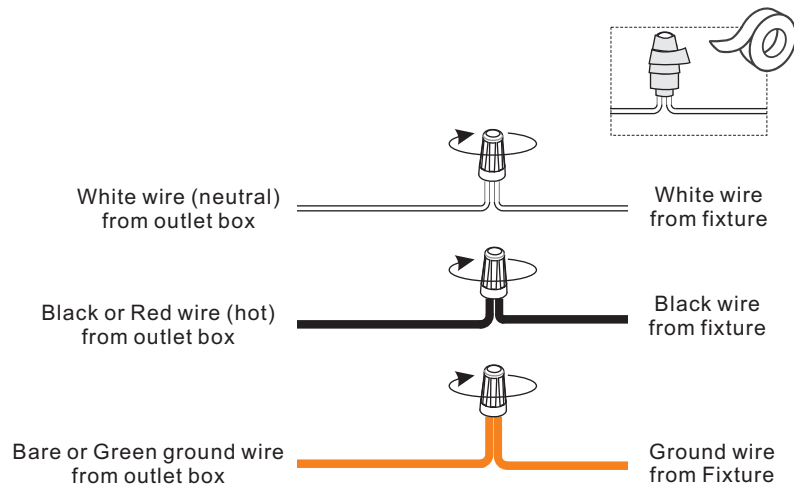
3



**Step 4
Drill Holes**

4

STEP 5



STEP 6

