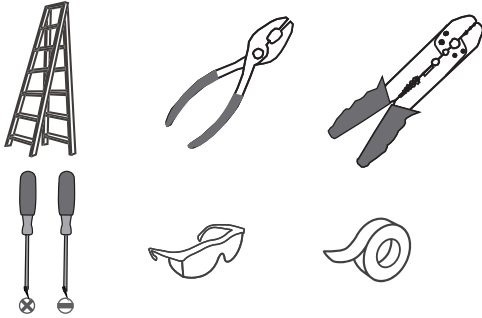


**Tools Required**



**Light Source**

31W  
**LED**

**Warnings and Cautions**

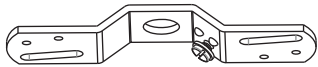
Turn off the electricity at the circuit breaker before installation. Consult a licensed electrician if in doubt about installation.

**Package Contents**

**Preparation:** Identify and inspect all parts before beginning the installation.

Missing or damaged parts? Contact your original place of purchase.

**PARTS BAG**



**A** Crossbar  
x 1



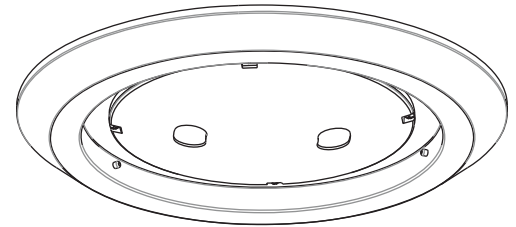
**C** Outlet Box Screw  
x 2



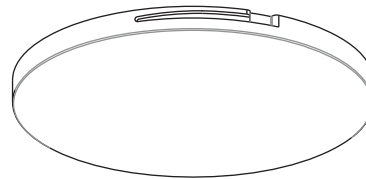
**B** Mounting Screw  
x 2



**D** Wire Connector  
x 3



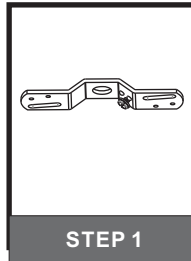
**E** Fixture Body  
x 1



**F** Shade  
x 1

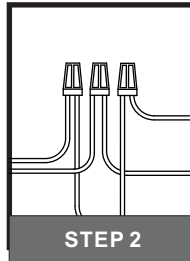
**Table of Contents**

**Inner Backplate**



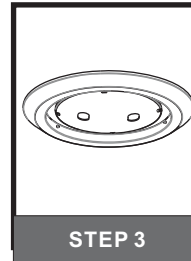
STEP 1

**Wiring**



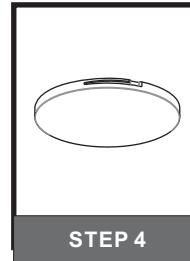
STEP 2

**Fixture Body**



STEP 3

**Shade**

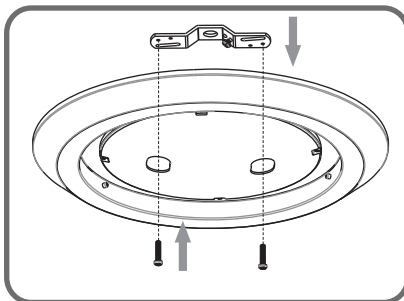


STEP 4

**STEP 1**

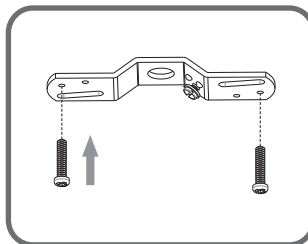
**1**

**Determine mounting holes for mounting screws**



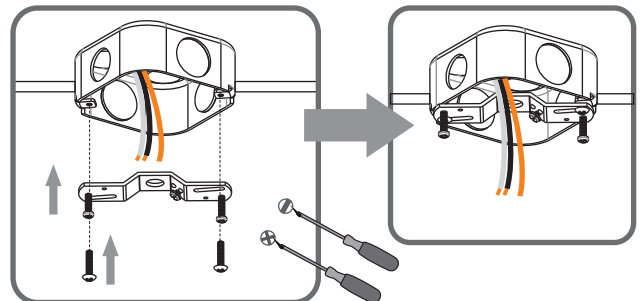
**2**

**Install mounting screws**

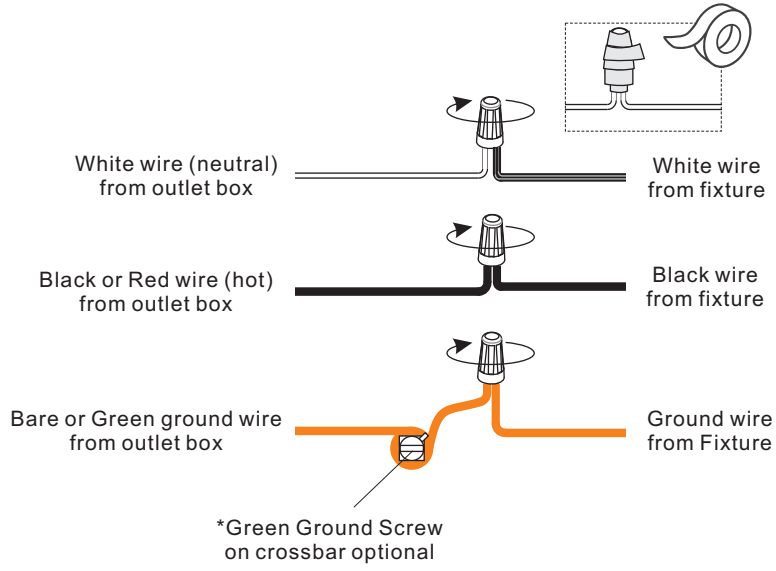


**3**

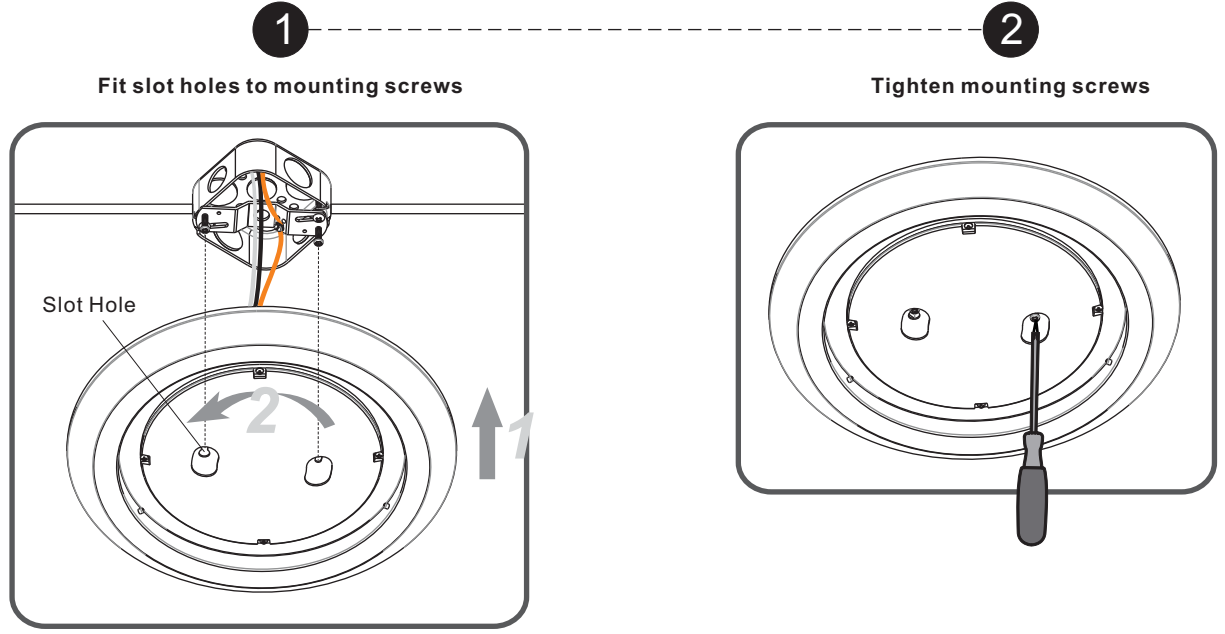
**Install Crossbar**



## STEP 2



## STEP 3



## STEP 4

