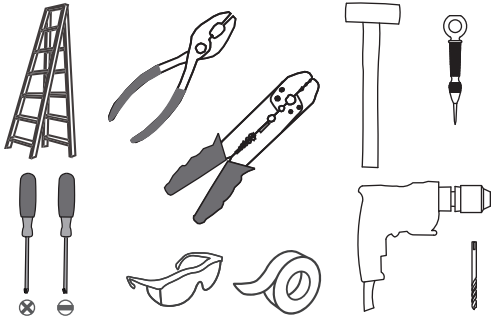
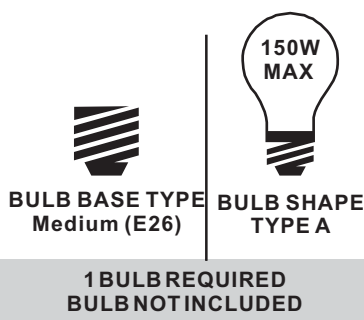


Tools Required



Light Source



Warnings and Cautions

Turn off the electricity at the circuit breaker before installation. Consult a licensed electrician if in doubt about installation.

Turn off power to the fixture and allow the bulbs to cool before replacing.

Package Contents

Preparation: Identify and inspect all parts before beginning the installation.
Missing or damaged parts? Contact your original place of purchase.

PARTS BAG

- A Mounting Screw x 3
- B Wire Connector x 3

Fixture Body x 1 C

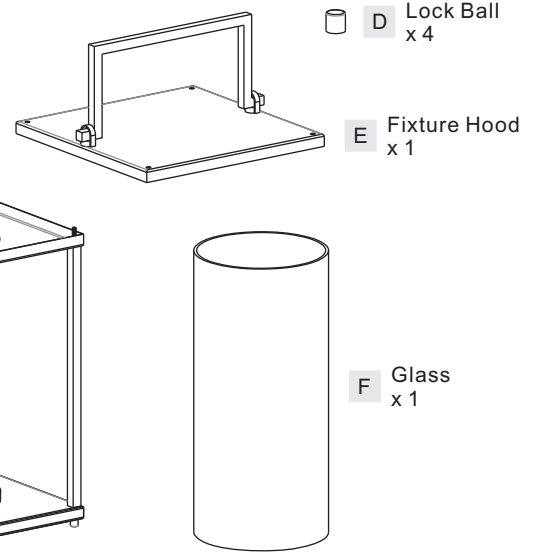


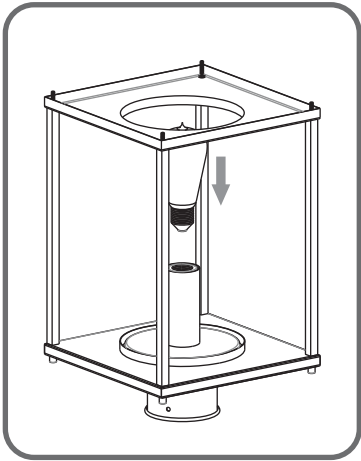
Table of Contents

Bulb & Shade	Drill Holes	Wiring	Fixture Body
STEP 1	STEP 2	STEP 3	STEP 4

STEP 1

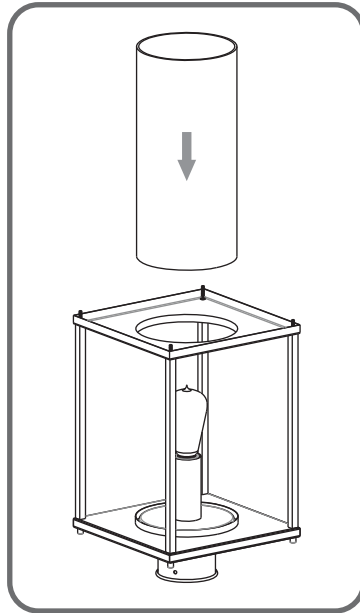
1

Install Bulb



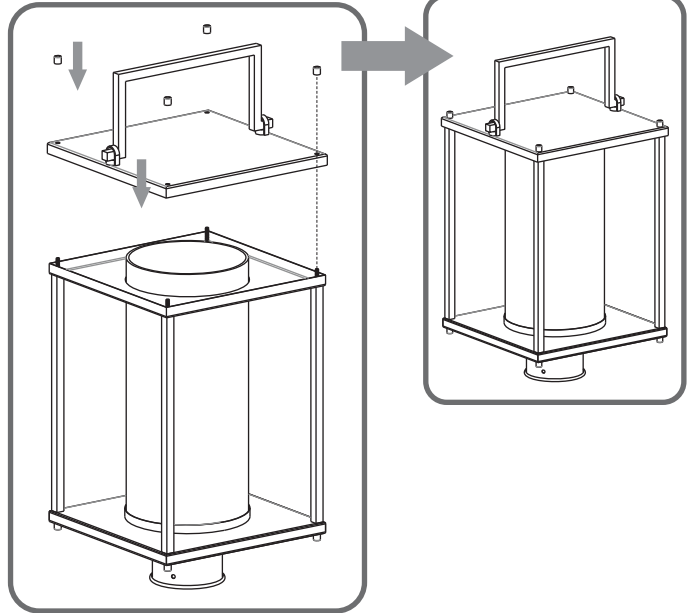
2

Install Glass



3

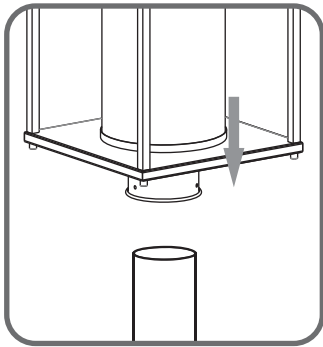
Install Fixture Hood



STEP 2

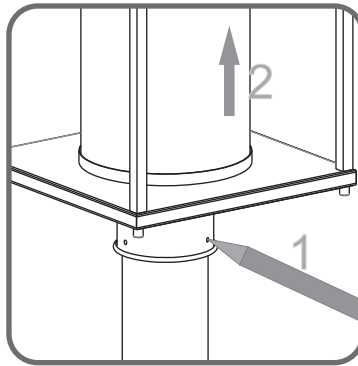
1

Step 1
Place Post Fitter to Post

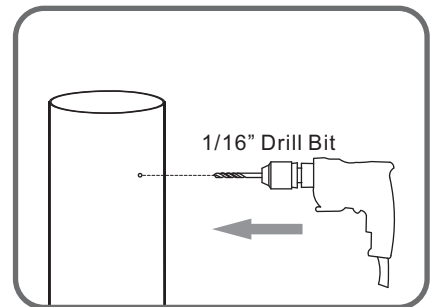
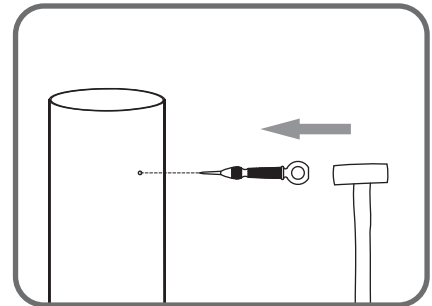


2

Step 2-3
Mark Mounting Holes Location on Post



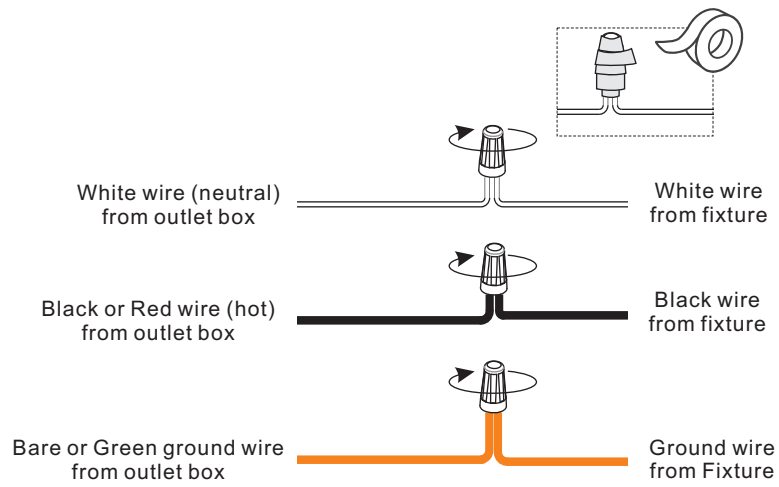
3



Step 4
Drill Holes

4

STEP 3



STEP 4

