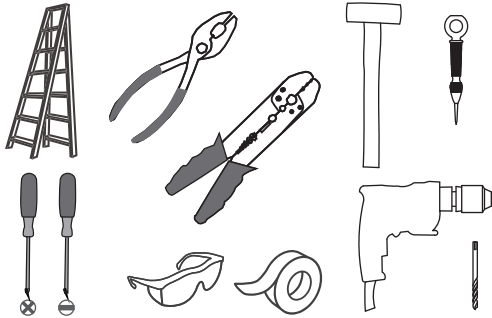
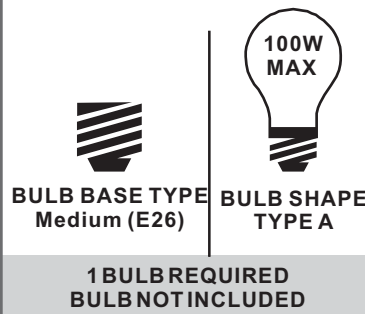


**Tools Required**



**Light Source**



**Warnings and Cautions**

Turn off the electricity at the circuit breaker before installation. Consult a licensed electrician if in doubt about installation.



Turn off power to the fixture and allow the bulbs to cool before replacing.

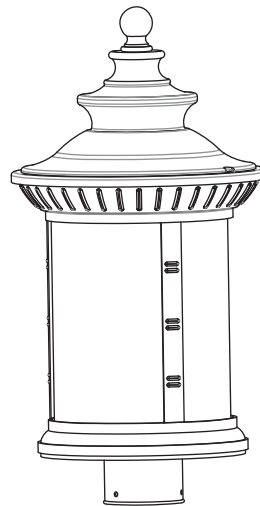
**Package Contents**

**Preparation:** Identify and inspect all parts before beginning the installation.

Missing or damaged parts? Contact your original place of purchase.

**PARTS BAG**

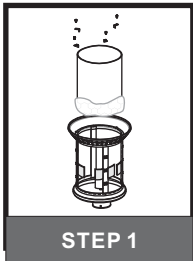
-  **A** Mounting Screw x 3
-  **B** Wire Connector x 3



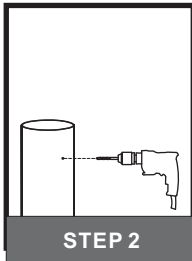
**C** Fixture Body x 1

**Table of Contents**

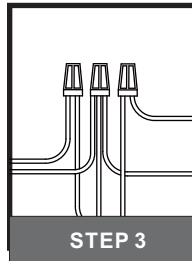
**Remove Pack**



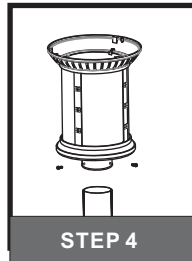
**Drill Holes**



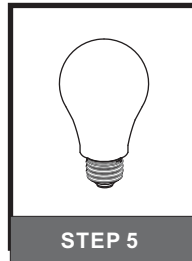
**Wiring**



**Fixture Body**



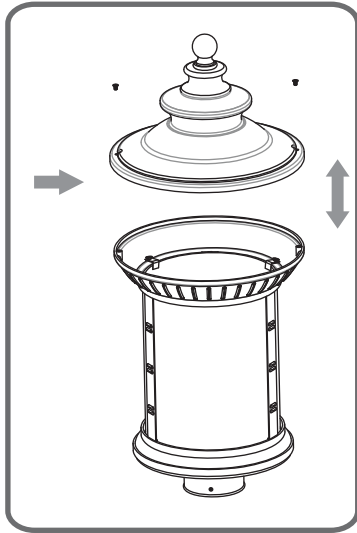
**Bulb**



# STEP 1

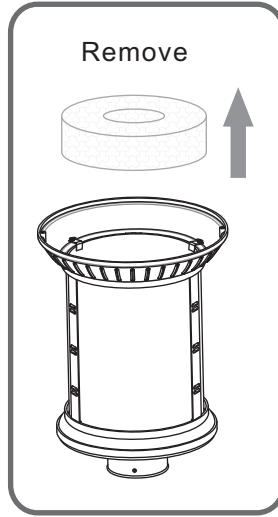
1

Step 1  
Separate Fixture Hood from Fixture Body



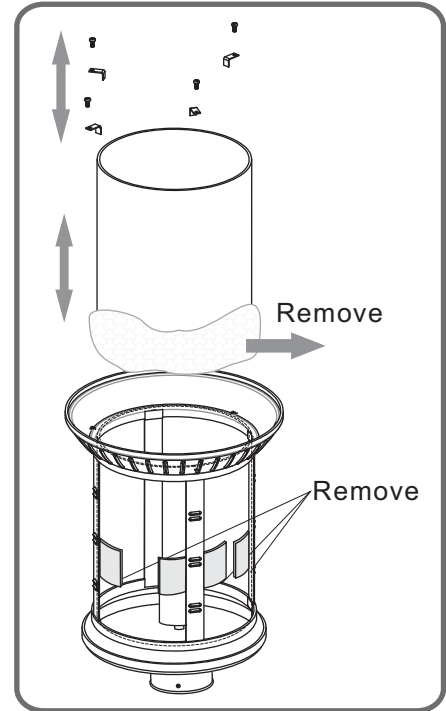
2

Step 2  
Remove Styrofoam



3

Step 3  
Remove PE Foam and Paper Card



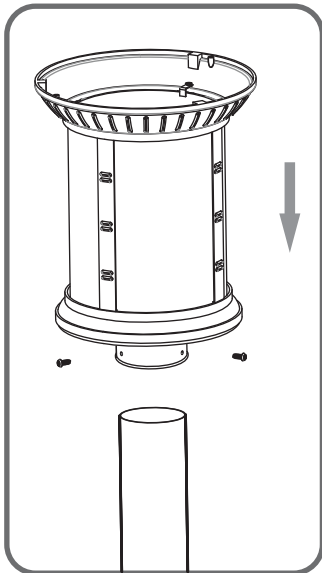
Step 4  
Reassemble Glass

4

# STEP 2

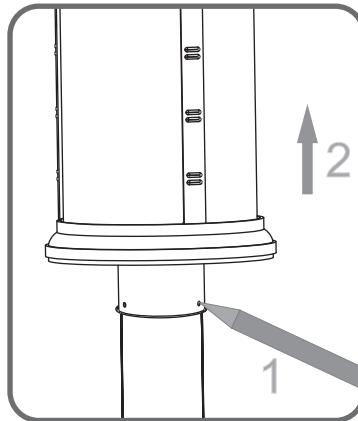
1

Step 1  
Place Post Fitter to Post

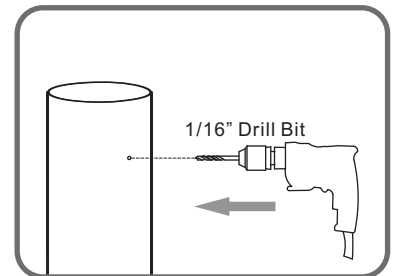
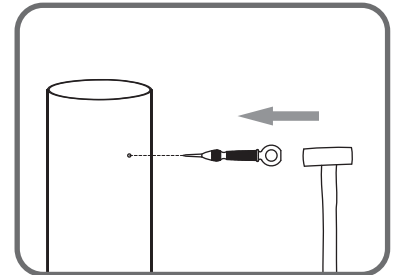


2

Step 2-3  
Mark Mounting Holes Location on Post



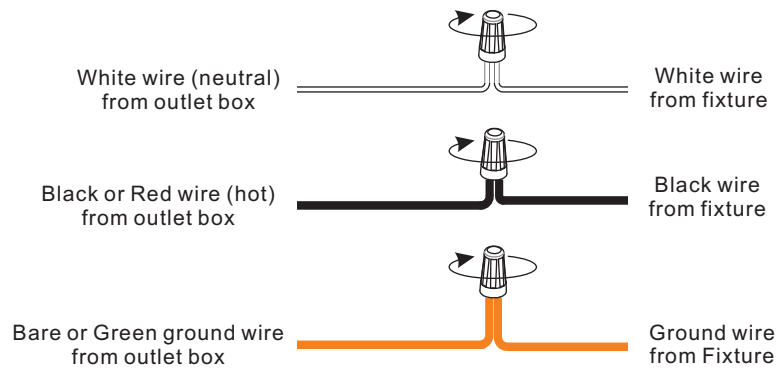
3



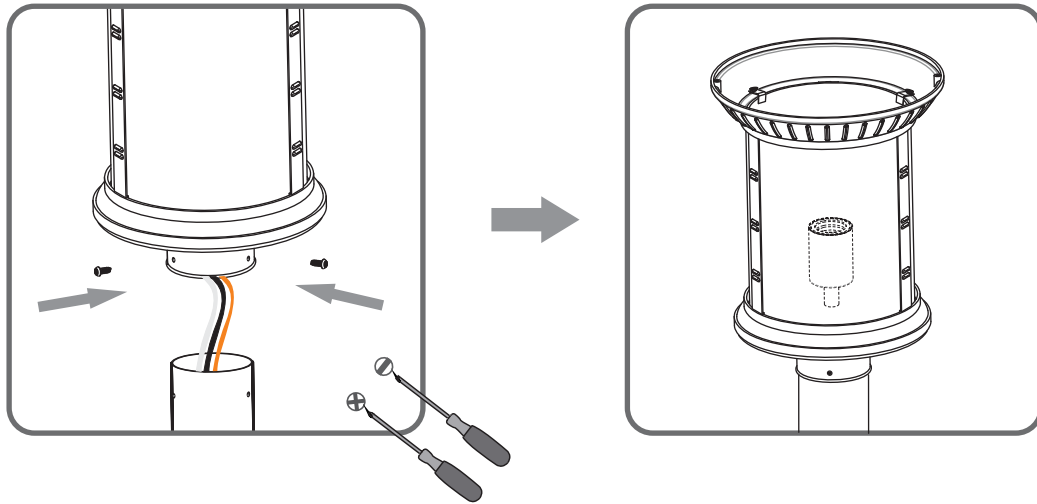
Step 4  
Drill Holes

4

### STEP 3



### STEP 4



### STEP 5

