

Assembly Instruction Sheet #IS-QR1253

For Style QR1253

Quoizel, Inc.
 6 Corporate Parkway
 Goose Creek, SC
 29445

Customer Service
 Phone 631.273.2700
 Fax 631.231.7102
 www. quozel. com

Tools Required: Flathead screwdriver, Phillips screwdriver, pliers, gloves, safety glasses.

Bulb Recommended: None.

Estimated Assembly Time: 20-30 minutes

Preparation: Identify and inspect all parts before beginning installation. Check package content list and diagrams below to be sure all parts are present. If any parts are missing or damaged, do not attempt to assemble, install, or operate the mirror. Contact customer service for replacement parts.

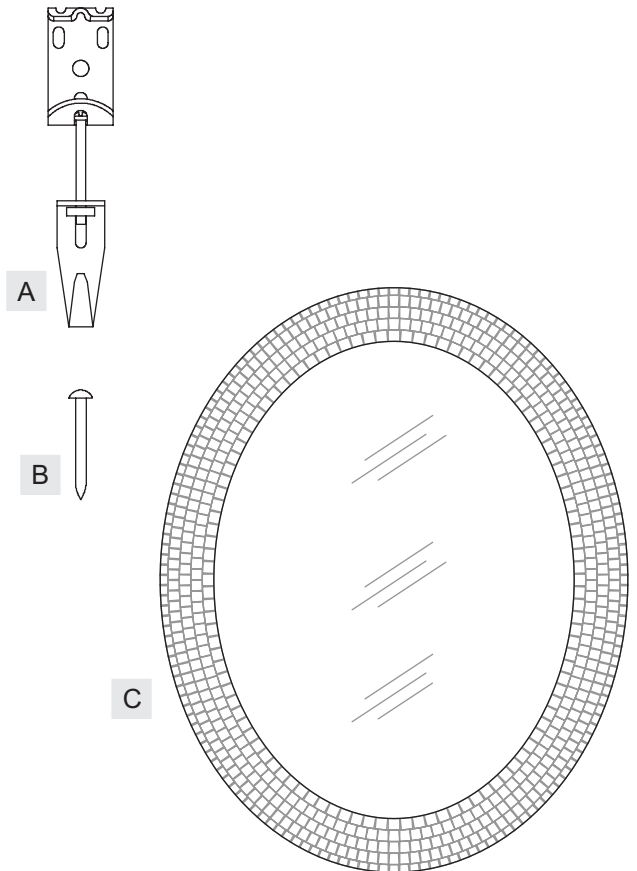


Warnings and Cautions

These instructions are provided for your safety. It is very important you read them completely before installing the mirror. We strongly recommend that a licensed, professional electrician perform the installation.

Package Contents

Part	Description	Quantity
A	Mirror Hanger	2 pcs
B	Hanger Nail	4 pcs
C	Mirror	1 pc

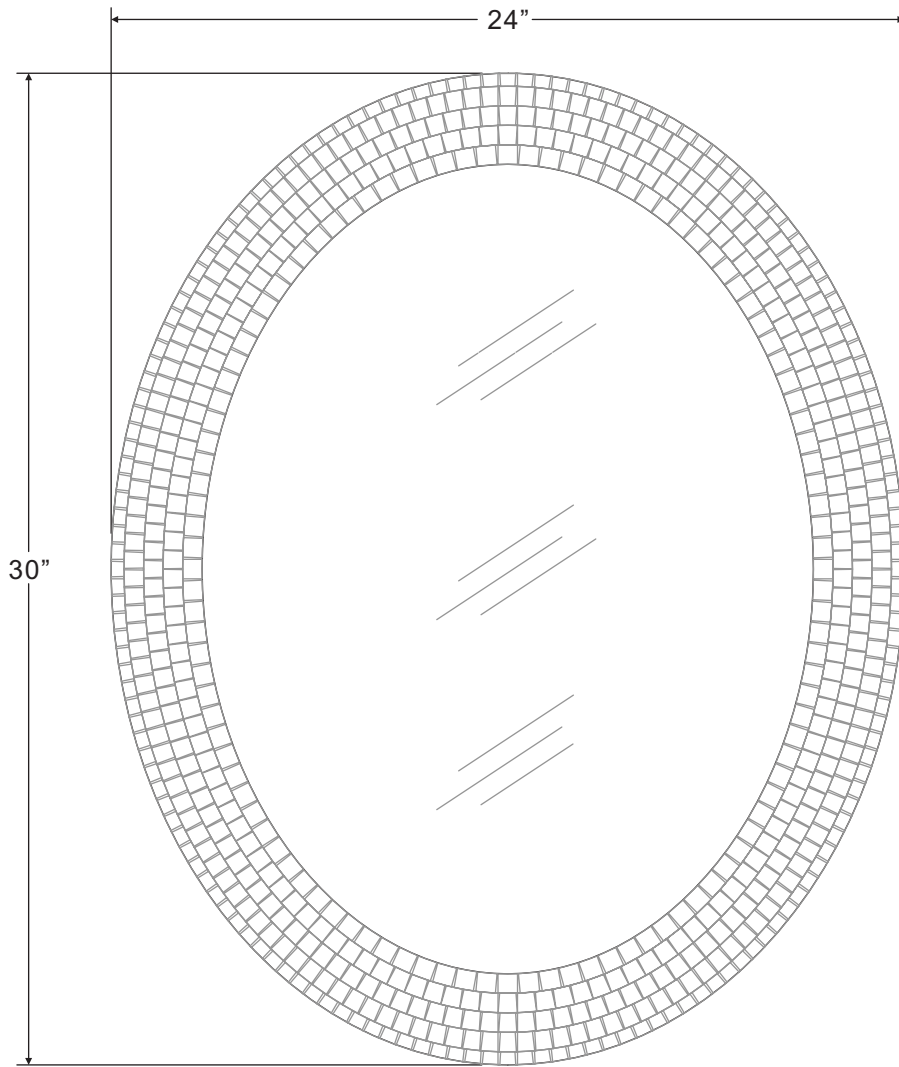
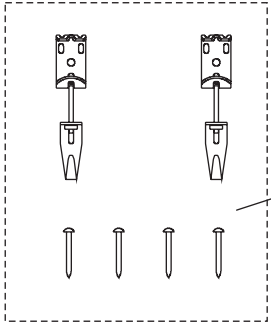


Thank you for purchasing a Quoizel product.

Need assistance with parts or assembly? Call Quoizel customer service at 1-631-273-2700
 or visit us on-line at www. quozel. com

QR1253

FINISH: PEN SHELL

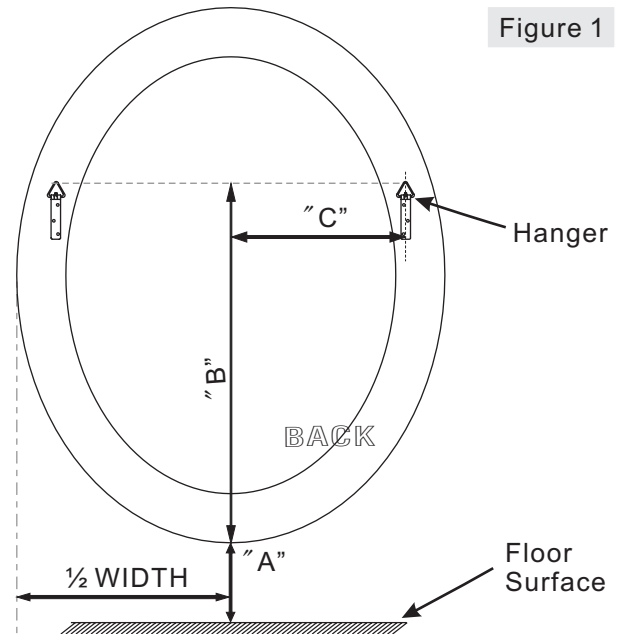


NOTE: ALL DIMENSIONS ARE ROUNDED UP TO THE NEAREST 1/2"

NO.	PART NUMBER	REPLACEMENT PART DESCRIPTION	REQ.
1	9460KIT	MIRROR HANGING KIT	1

STEP 1 – Mark Points for Mirror Hangers

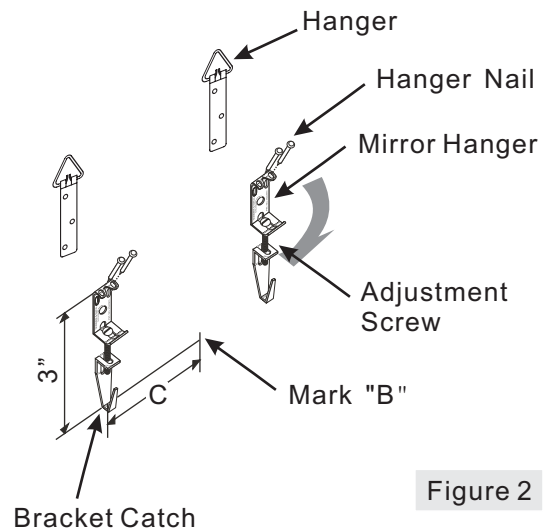
- Lift and position where the Mirror will reside on the wall surface and with a tape measure, mark distance from floor to the bottom edge of the frame with a pencil. Mark should be located at a point representing $\frac{1}{2}$ of mirror width.
- Place the Mirror on a flat surface with back facing you. Measure the distance from the bottom edge of the Mirror Frame to the middle point of (2) Hangers. This represents distance "B" in the illustration.
- With tape measure, add this distance to Mark "A" on wall surface and mark with pencil.
- Measure distance between (2) Hangers. Add this $\frac{1}{2}$ distance from Mark "B" on each side and mark with pencil. (Distance "C" in the illustration)
- Measure 3" up from Mark "C" and mark. These marks are locators for the (2) Mirror Hangers. Check for marks straightness with level.



STEP 2 – Locate Mirror Hangers and Mirror

- Locate Mirror Hangers (A) and align the top center with 3" Locator mark. Secure them to wall surface with Hanger Nails (B). **Please be noted that the Mirror Hangers are fully adjustable allowing for easy leveling.**
- With Mirror Hangers properly installed, be sure to make sure that the (2) Bracket Catches are approximately equal in length from the top of Mirror Hangers. Adjust overall length with Adjustment Screws.
- With the help of another person, pass the Hangers on the back of the Mirror over the Mirror Hangers (A) so that the Hangers rest on the inside of the Bracket Catches.

Clean glass with household glass cleaner. Retain this sheet for future reference.



Thank you for purchasing a Quozel product.

Need assistance with parts or assembly? Call Quozel customer service at 1-631-273-2700 or visit us on-line at www. quozel. com