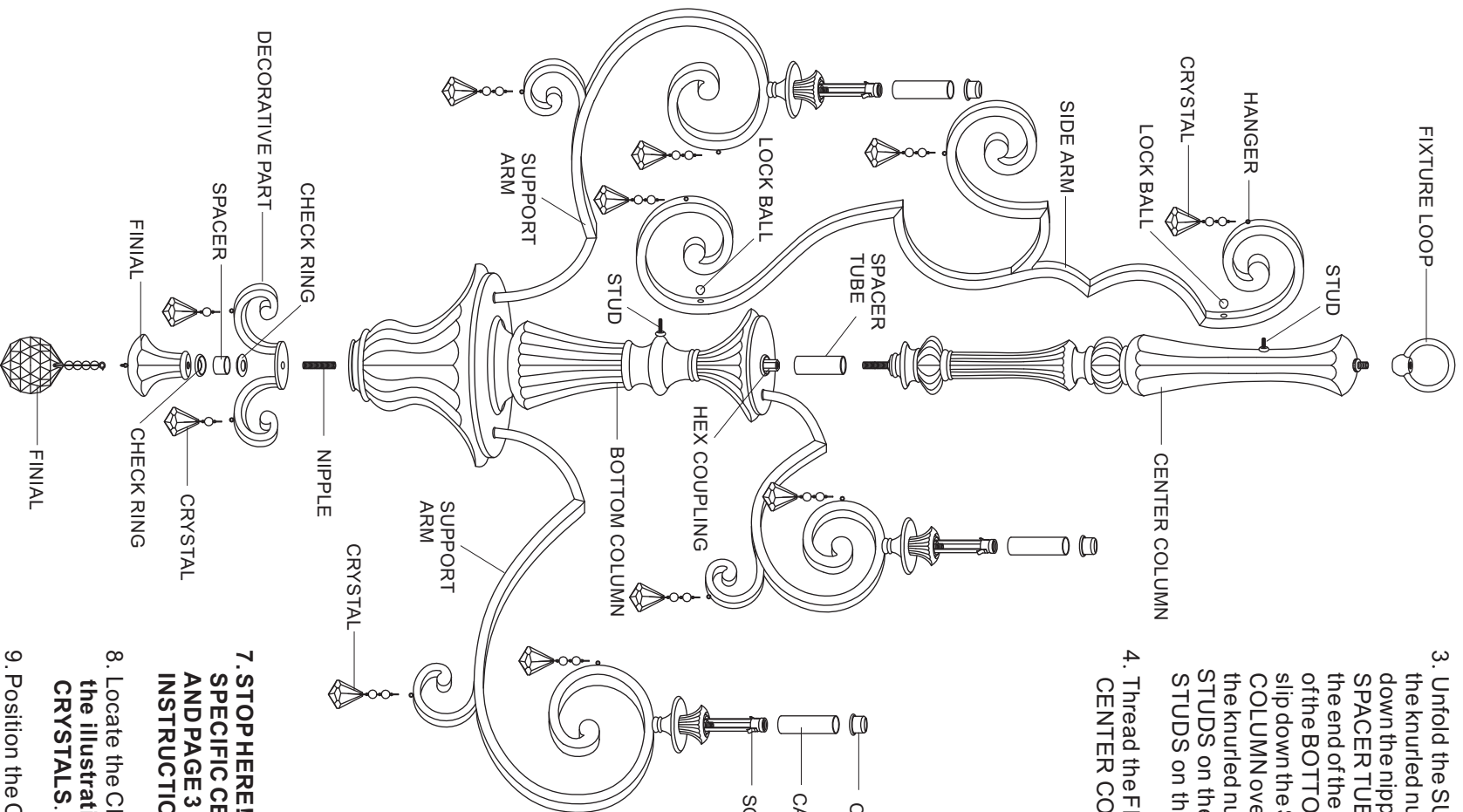


**CEILING INSTALLATION INSTRUCTIONS  
 FOR FIXTURES WEIGHING OVER 45 LBS.**

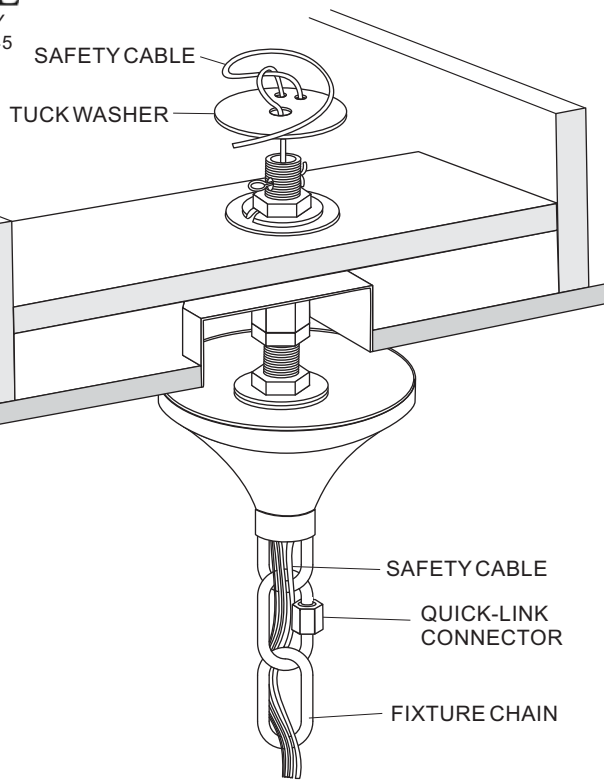
**NOTE: DUE TO THE HANGING WEIGHT OF THIS FIXTURE, QUOIZEL HIGHLY RECOMMENDS YOU CONSULT A LICENSED ELECTRICIAN OR QUALIFIED CONTRACTOR FOR THIS INSTALLATION. QUOIZEL RECOMMENDS (2) PEOPLE FOR THIS INSTALLATION**

1. Before beginning the installation, carefully unpack and identify all of the parts, referring to the illustration.
2. Turn power to the installation point OFF at circuit breaker.
3. Unfold the SUPPORT ARMS to their proper locations. Loosen the knurled nut on the top end of the CENTER COLUMN. Slip down the nipple inside of the CENTER COLUMN and make the SPACER TUBE over the end of the nipple. Proceed to thread the end of the nipple into the HEX COUPLING on the top center of the BOTTOM COLUMN. Hand tighten until snug. And then slip down the SPACER TUBE and the parts on the CENTER COLUMN over the nipple in turn and secure them together with the knurled nut. Hand tighten until snug. Please make sure the STUDS on the side of the CENTER COLUMN line up with the STUDS on the side of the BOTTOM COLUMN.
4. Thread the FIXTURE LOOP on the nipple on the top of the CENTER COLUMN and hand tighten until snug.



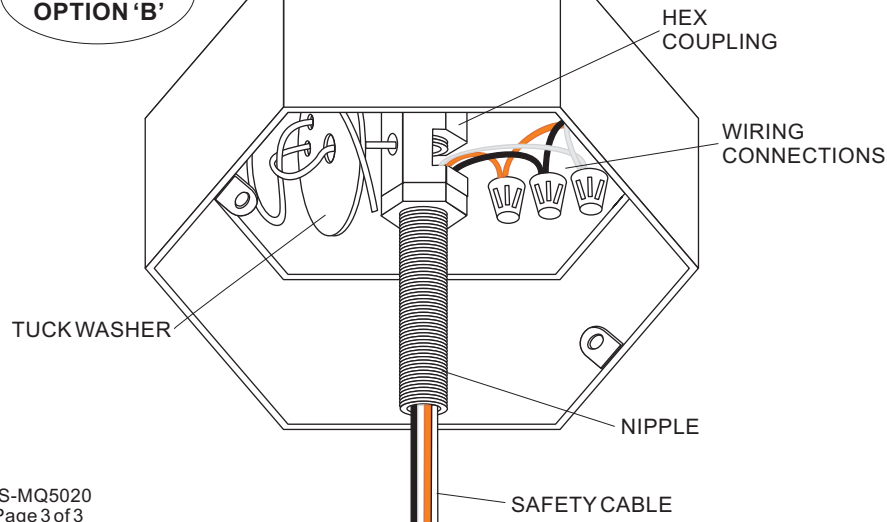
5. Thread the NIPPLE into the mounting hole on the bottom of the BOTTOM COLUMN. Tighten until snug. Locate the DECORATIVE PART, CHECK RING, SPACER and CHECK RING over the end of the NIPPLE in the order shown on the right. Secure all of these parts with the FINIAL.
6. Locate the SIDE ARMS and match the holes on them with the STUDS on the side of the CENTER COLUMN and the BOTTOM COLUMN. Secure them together by threading the LOCK BALLS onto the STUDS. Hand tighten until all are snug.
7. STOP HERE! YOU MUST NOW REFER TO PAGE 2 FOR SPECIFIC CEILING MOUNT INSTALLATION INSTRUCTIONS AND PAGE 3 FOR SAFETY CABLE INSTALLATION INSTRUCTIONS.
8. Locate the CRYSTALS onto the HANGERS. Please refer to the illustration to identify the locations of the 3 types of CRYSTALS.
9. Position the CANDLE COVER over each SOCKET and locate the CAP onto the top end of CANDLE COVER. Install bulbs referring to the fixture markings and/or labels for maximum wattage.
10. Restore power to the installation point ON. Retain this sheet for future reference.





**FIGURE #1**  
**OPTION 'A'**

**FIGURE #2**  
**OPTION 'B'**



## SAFETY CABLE INSTALLATION INSTRUCTIONS

**THIS SAFETY CABLE IS REQUIRED ON ALL SINGLE CHAIN SUSPENDED CEILING FIXTURES WEIGHING OVER 45 POUNDS. IMPROPER INSTALLATION OF THIS SAFETY CABLE COULD RESULT IN FIXTURE FALLING OR SERIOUS INJURY. IF IN DOUBT ABOUT INSTALLATION, YOU MAY NEED TO CONSULT A LICENSED ELECTRICIAN OR QUALIFIED CONTRACTOR.**

### **OPTION 'A' (see FIGURE #1)**

Work the SAFETY CABLE END through the FIXTURE CHAIN, alternating every other link. Proceed to pass the SAFETY CABLE END through the NIPPLE, COUPLING and 3/8-18 PIPE. Make up the TUCKWASHER KNOT, referring to Figure #3.

### **OPTION 'B' (see FIGURE #2)**

Pull the SAFETY CABLE through alternating links on the FIXTURE CHAIN and then through the NIPPLE. Pull the SAFETY CABLE out of the **small hole on the side** of the COUPLING. **(NOTE: SAFETY CABLE MUST NOT EXIT COUPLING ON THE WIRE CONNECTION SIDE)** Make up a TUCKWASHER KNOT, referring to Figure #3.

### **SAFETY CABLE / TUCKWASHER INSTALLATION STEPS - See FIGURE #3**

- 1) First, push all of the SAFETY CABLE up through the center hole.
- 2) Next, push the cable down through the 12 o'clock hole, leaving about 1/2" of slack.
- 3) Finally, push the cable up through the 1 o'clock hole and tuck it under the cable between the center hole and the 12 o'clock holes.
- 4) For OPTION 'A': Pull all of excess cable through all of the holes until the TUCK WASHER is very close to the opening at the end of the 3/8-18 NIPPLE. Remove as much slack as possible out of the TUCK WASHER. About 1/2" of slack between TUCK WASHER and the hole is acceptable. (See FIGURE #1)
- 5) For OPTION 'B': Pull all of the excess cable through all of the holes in the TUCK WASHER until the TUCK WASHER is very close to the COUPLING. Remove as much slack as possible. About 1" or less is acceptable. (See FIGURE #2)
- 6) Coil and stow the excess cable near the TUCK WASHER. For excessive cable, the cable can be cut down to a minimum of 12" from the washer. At the COUPLING keep the electrical wiring away from the TUCK WASHER and SAFETY CABLE.

**NOTE: THE SLACK IN THE SAFETY CABLE NEEDS TO BE LESS THAN THE SLACK IN THE SUPPLY WIRING.**

**FIGURE #3**  
**TUCK WASHER**

