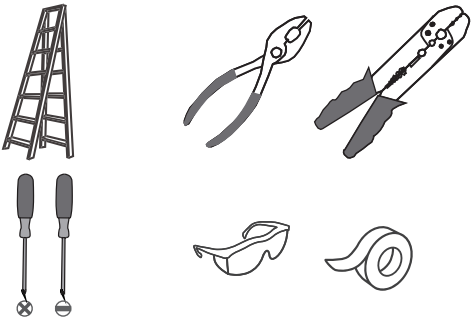
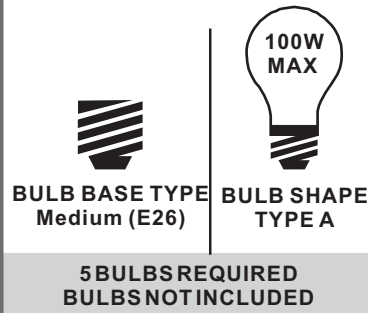


Tools Required



Light Source



**Fixture Height Adjustable
14.25" to 50"**

Warnings and Cautions

Turn off the electricity at the circuit breaker before installation. Consult a licensed electrician if in doubt about installation.

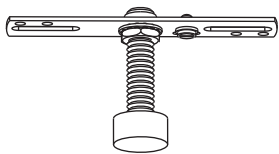
Turn off power to the fixture and allow the bulbs to cool before replacing.

Package Contents

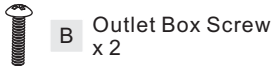
Preparation: Identify and inspect all parts before beginning the installation.

Missing or damaged parts? Contact your original place of purchase.

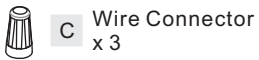
PARTS BAG



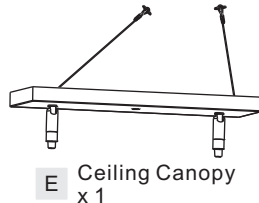
A Crossbar Assembly x 1



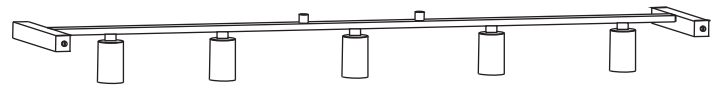
B Outlet Box Screw x 2



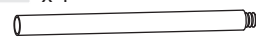
C Wire Connector x 3



E Ceiling Canopy x 1



F Fixture Body x 1

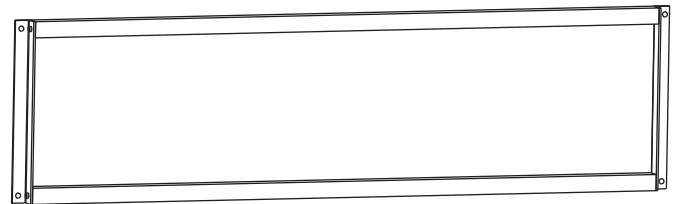


G 6" L Rod x 4

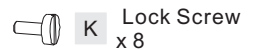


H 12" L Rod x 4

I Frame x 2



J Stem x 2

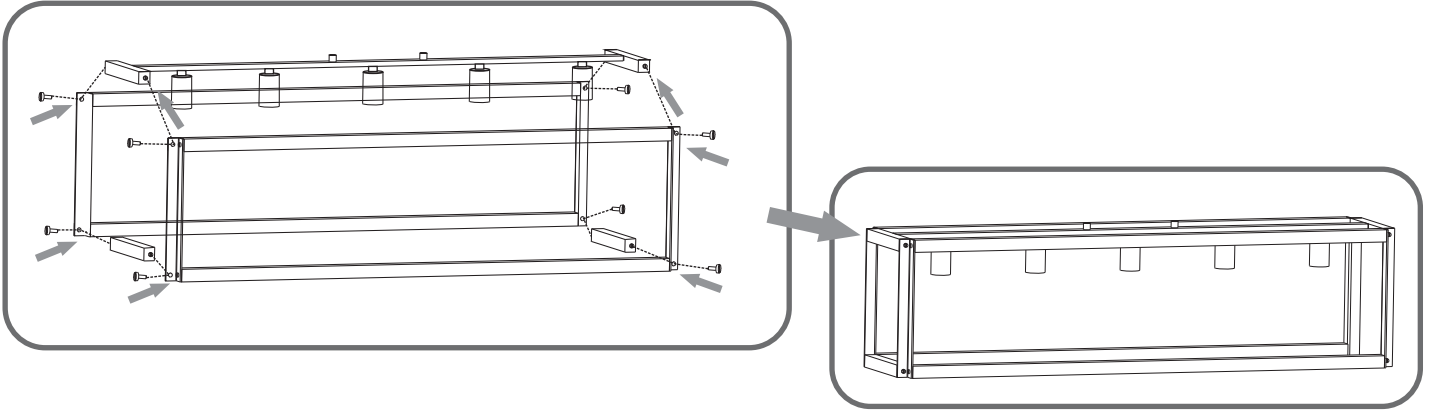


K Lock Screw x 8

Table of Contents

<p>Fixture Body</p> <p>STEP 1</p>	<p>Rods</p> <p>STEP 2</p>	<p>Crossbar Assembly</p> <p>STEP 3</p>	<p>Ceiling Canopy</p> <p>STEP 4</p>
<p>Lanyard</p> <p>STEP 5</p>	<p>Wiring</p> <p>STEP 6</p>	<p>Ceiling Canopy</p> <p>STEP 7</p>	<p>Bulb</p> <p>STEP 8</p>

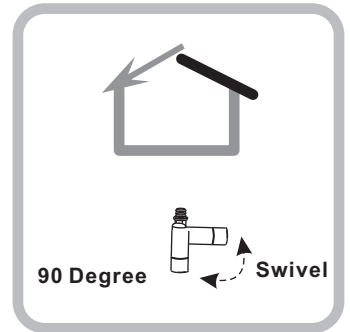
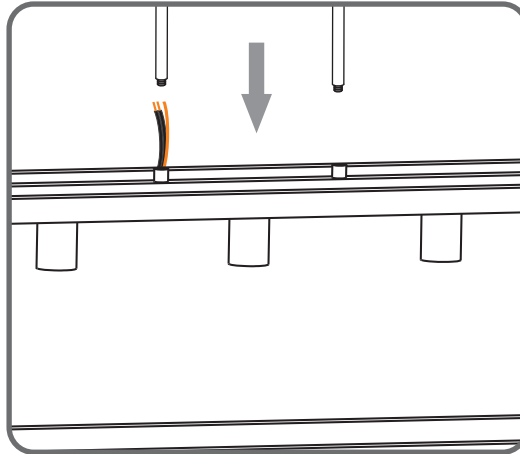
STEP 1



STEP 2

Optional Rods

- 8' ceiling:**
(2) 6"L + (2) 12"L rods
- 9' ceiling:**
(2) 6"L + (4) 12"L rods
- 10' ceiling:**
(4) 6"L + (4) 12"L rods

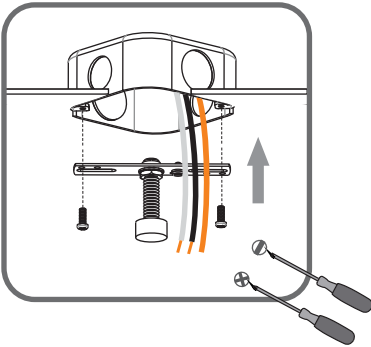


For angled ceilings,
Swivel opening towards wall.

STEP 3

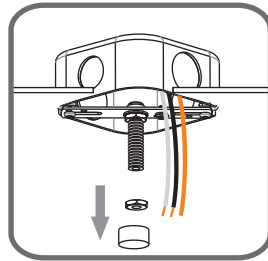
1

Step 1
Install crossbar assembly

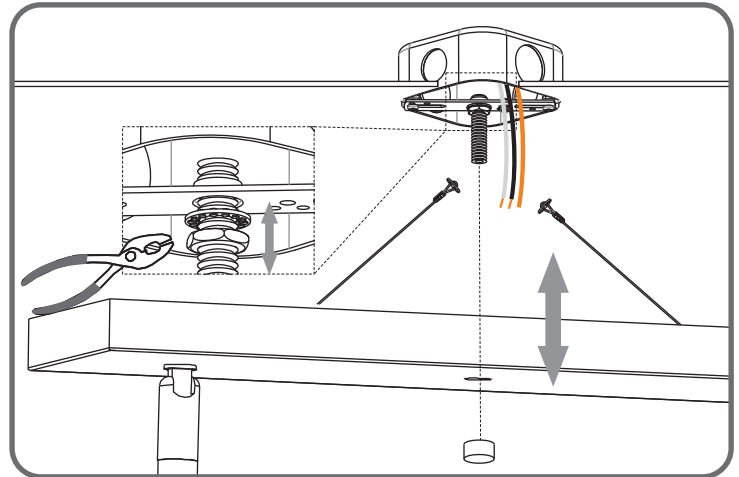


2

Step 2 - 3
Test fitting ceiling canopy to nipple

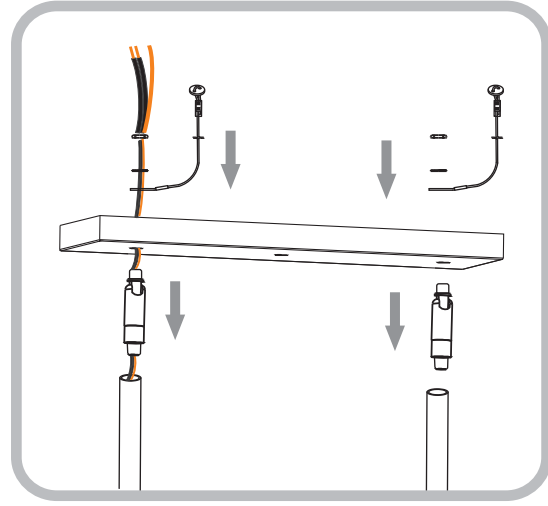
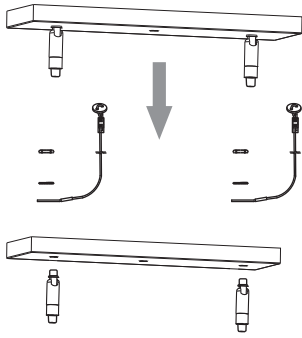


3

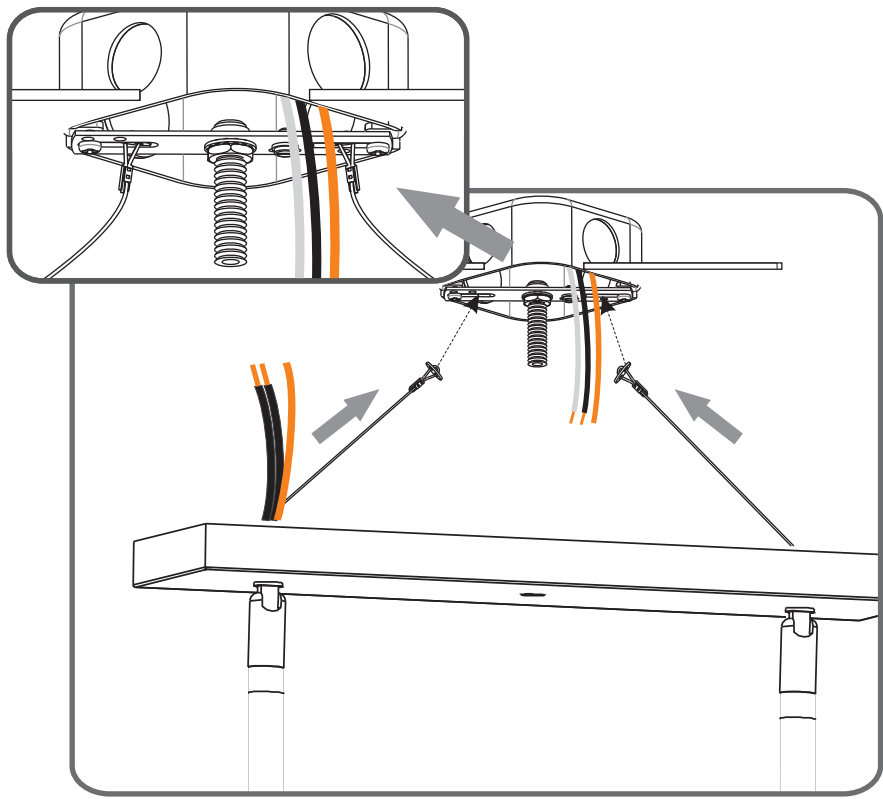


STEP 4

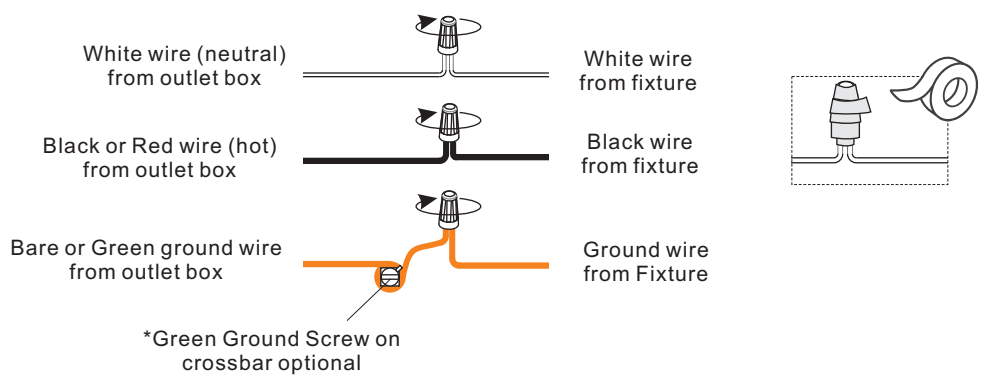
Unlock hex nuts inside of the ceiling canopy to separate swivels from the ceiling canopy.



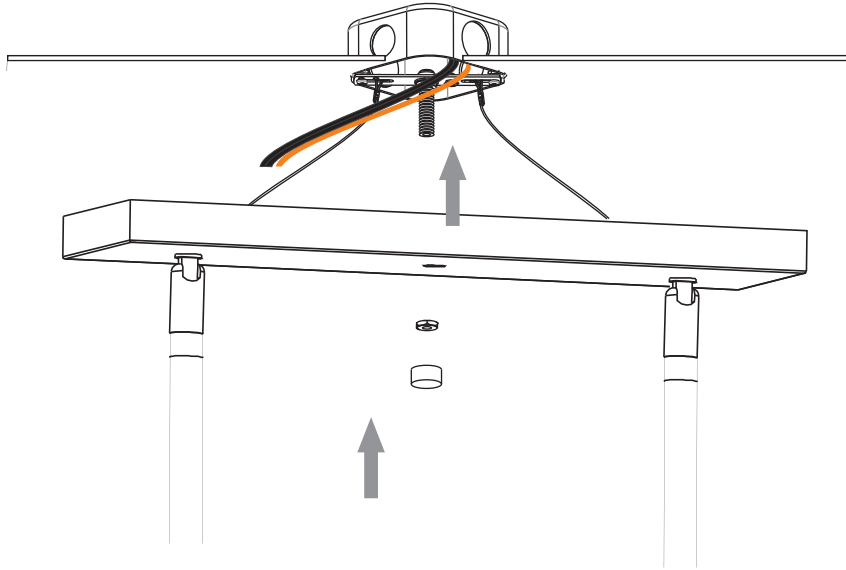
STEP 5



STEP 6



STEP 7



STEP 8

