

Please go to www.quirzel.com for product cleaning tips. Go to the **Care + Maintenance** selection.

Tools Required: Flathead screwdriver, Phillips screwdriver, pliers, wire cutters, wire strippers, electrical tape, safety glasses, marking pen, 1/4" drill bit and drill.

Light Source: LED 78W

Fixture Hanging Height: Minimum Hanging Height is 30", Maximum Hanging Height is 119.5".

Estimated Assembly Time: 20-30 minutes

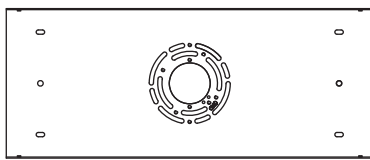
Preparation: Identify and inspect all parts before beginning installation. Check package content list and diagrams below to ensure all parts are present. If any parts are missing or damaged, do not attempt to assemble, install, or operate the fixture. Contact your original place of purchase.

⚠ Warnings and Cautions

Turn off electricity at circuit breaker or main fuse box before installation. Consult a licensed electrician if in doubt.

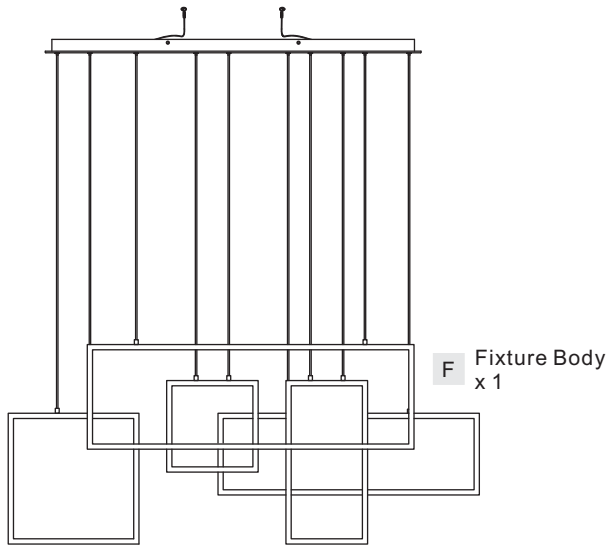
These instructions are provided for your safety. It is very important you read them completely before installing the fixture. We strongly recommend that a licensed, professional electrician perform the installation.

Package Contents



A Inner Backplate
x 1

- B** Mounting Screw
x 4
- C** Wall Anchor
x 4
- D** Screw
x 4
- E** Washer
x 4



F Fixture Body
x 1

STEP 1 – Attach Inner Backplate to Outlet Box

A. Attach the Inner Backplate (A) onto the outlet box and make two

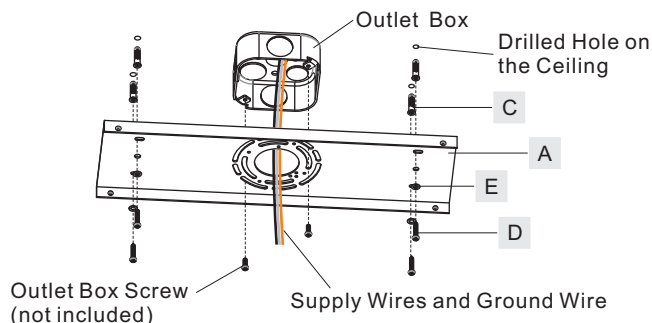


Figure 1

(Step 1 Continued)

- marks on the ceiling from keyholes.
- B. Remove the Inner Backplate (A). Using a 1/4" drill bit, drill holes at each (2) locations marked on the ceiling.
- C. Insert Wall Anchors (C) into drilled holes completely.
- D. Pass supply wires and ground wire through the center hole of the Inner Backplate (A). Attach the Inner Backplate (A) to outlet box. Thread outlet box screws (not included) into mounting holes on the outlet box. Pass Washers (E) over Screws (D) and thread Screws (D) into Wall Anchors (C). Hand tighten until snug with screwdrivers.

STEP 2 – Adjust Fixture Body Height

(3) People are recommended for this step.

- A. With (2) people holding frames. The other person push the buttons on the bottom of the ceiling canopy to adjust the cord in or out of the ceiling canopy according to your desired hanging height. Make sure each frame is level after adjustment.
- B. Move the safety clip next to the hex nut inside of the ceiling canopy.

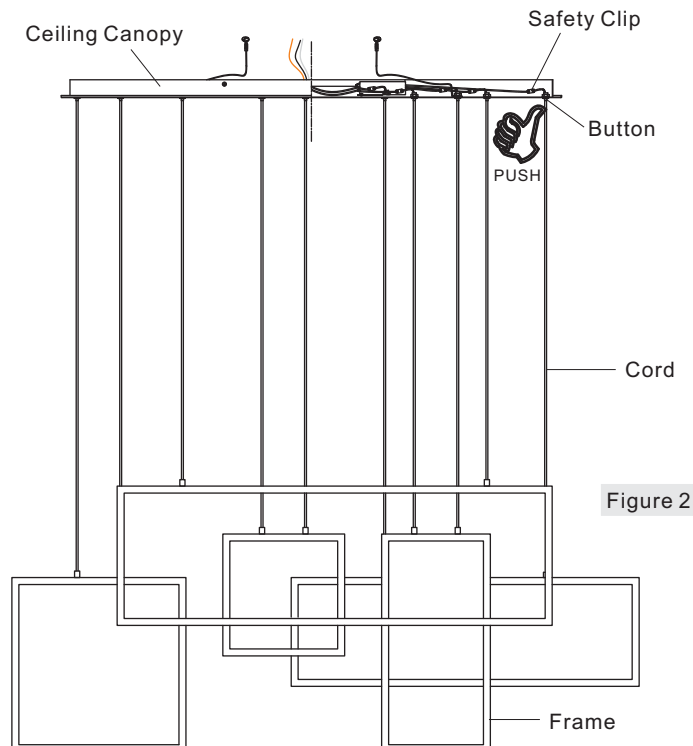


Figure 2

STEP 3 - Attach the Lanyard

- The purpose of the lanyard is to provide a means to support the fixture hands free from the junction box while connecting the electrical wires.
- Turn the Button Stop so it may be inserted into an inner backplate slot. Make sure the Button Stop is completely inside the inner backplate. Slowly release the fixture to make sure it is supported by the Button Stop. Proceed to the wiring steps in the next step. Once you are complete with the wiring, the Lanyard will push into the junction box when the fixture is placed for final mounting.

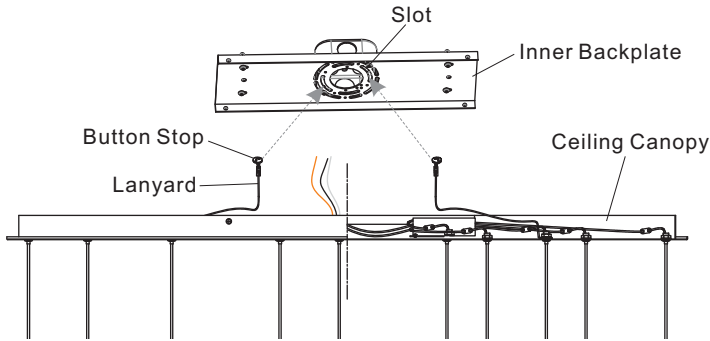


Figure 3

STEP 4 - Wire Connections

- Wrap bare or green ground wire around green ground screw on the crossbar, no less than 2 inches from the end of the wire. Tighten the green ground screw.
- Use standard wire connectors (not included) to make all wire connections. Twist connectors until wires are tightly joined together. Wrap each connection with approved electrical tape and carefully stuff all the connected wires into the Outlet Box.

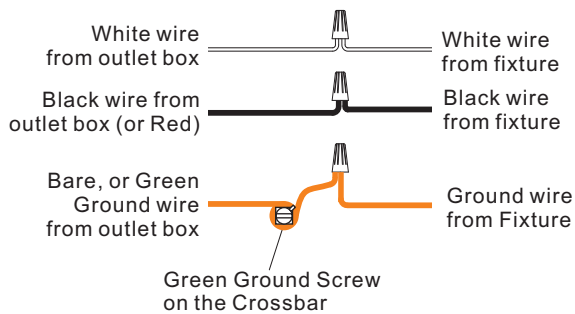


Figure 4

STEP 5 - Install the Fixture Body

- Place the ceiling canopy of the Fixture Body (F) onto the Crossbar (A) and secure with Mounting Screws (B). Tighten until snug with screwdrivers.

Your fixture is now assembled and ready to use. Enjoy!

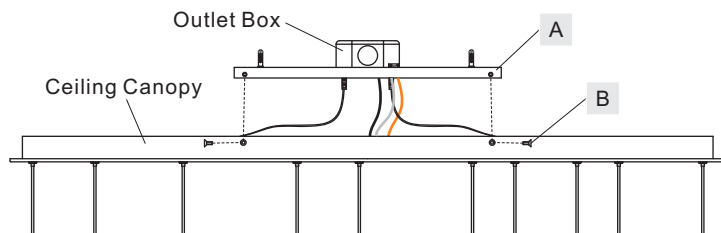
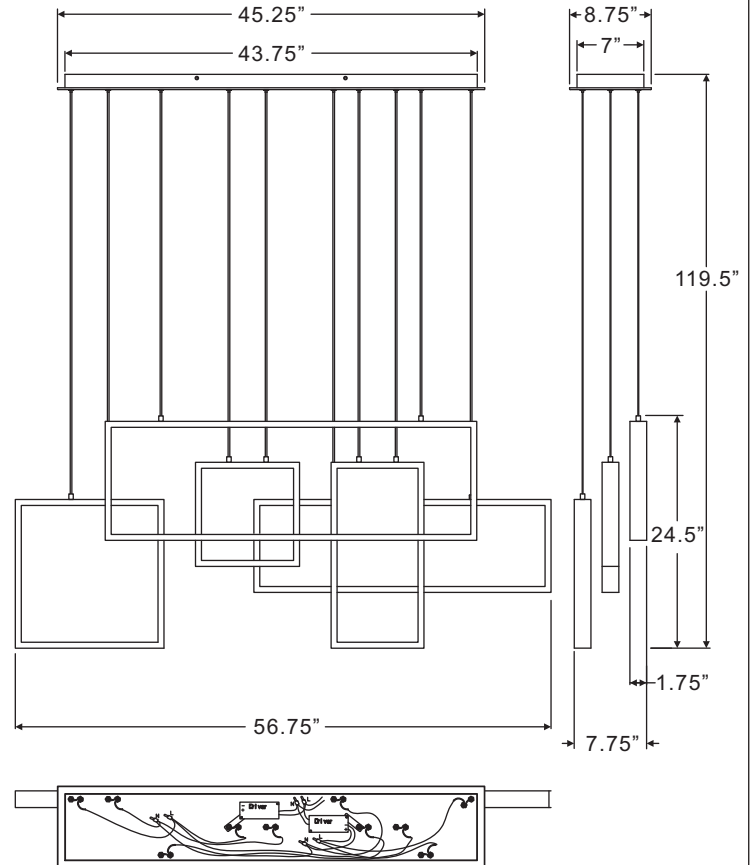
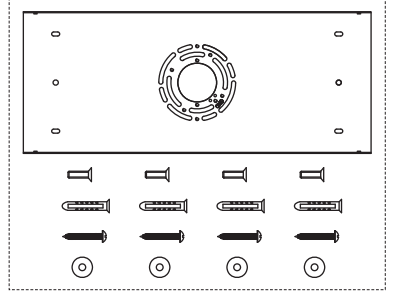


Figure 5

PCCV157WT

FINISH: WESTERN BRONZE



NOTE: ALL DIMENSIONS ARE ROUNDED UP TO THE NEAREST 1/4"