

**SAFETY INFORMATION**

Please read and understand this entire manual before attempting to assemble, install or operate the product.

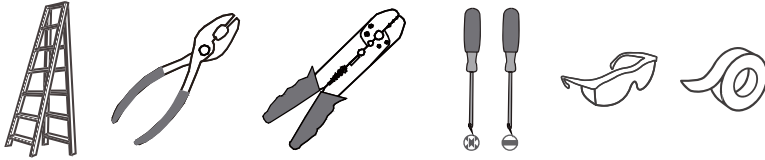
**WARNING**

- RISK OF ELECTRIC SHOCK - Before beginning installation, turn off electricity at the circuit breaker box or the main fuse box.

**CAUTION**

- For your safety, read instructions completely before beginning installation.
- If in doubt about electrical installation, consult a licensed electrician.

**TOOLS REQUIRED**



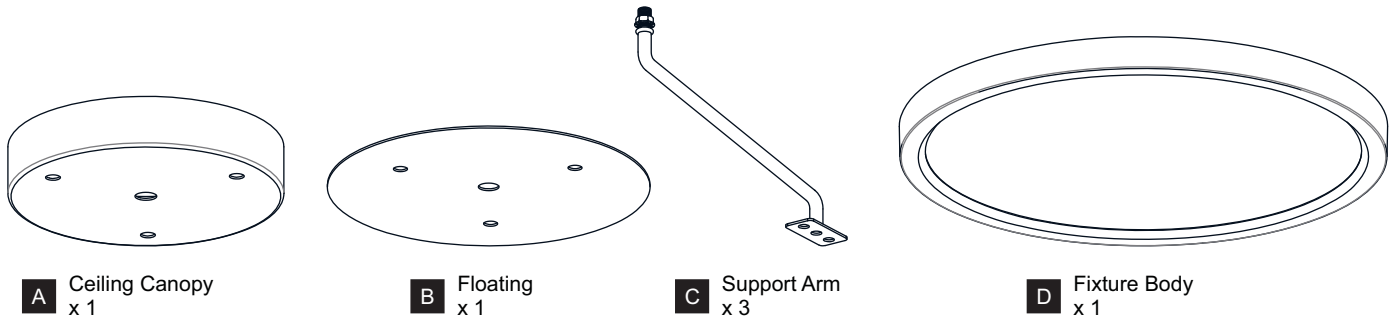
Ratings	120Vac, 60Hz	
	Model No.	Wattage
	OST1811BN	15W
	OST1811EK	15W
	OST1815BN	30W
	OST1815EK	30W
	OST1820BN	30W
OST1820EK	30W	

**CARE AND MAINTENANCE**

- Wipe clean using soft, dry cloth or static duster. Always avoid using harsh chemicals and abrasives to clean fixture as they may damage the finish.

If you need further assistance call Quozel Customer Care at 1-800-645-3184 (9:00am - 5:00pm EST), or visit us on-line at [www.quezel.com](http://www.quezel.com).

**PACKAGE CONTENTS**



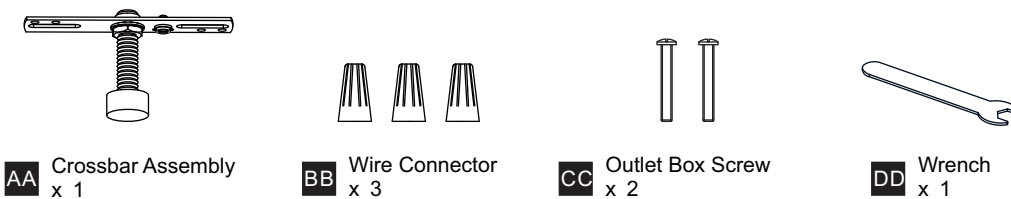
**A** Ceiling Canopy  
x 1

**B** Floating  
x 1

**C** Support Arm  
x 3

**D** Fixture Body  
x 1

**MOUNTING HARDWARE**



**AA** Crossbar Assembly  
x 1

**BB** Wire Connector  
x 3

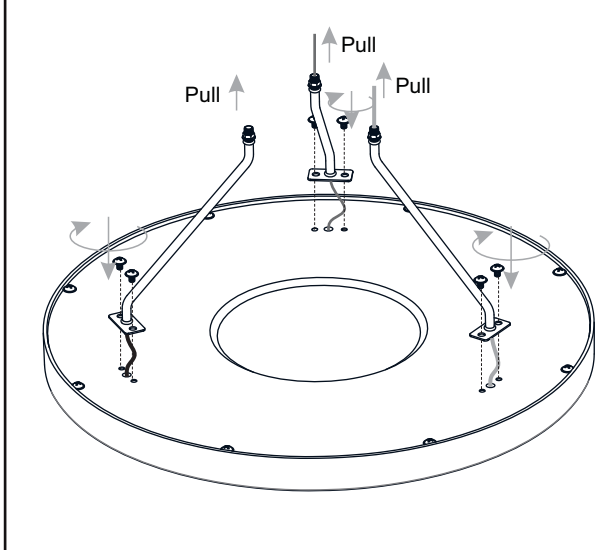
**CC** Outlet Box Screw  
x 2

**DD** Wrench  
x 1

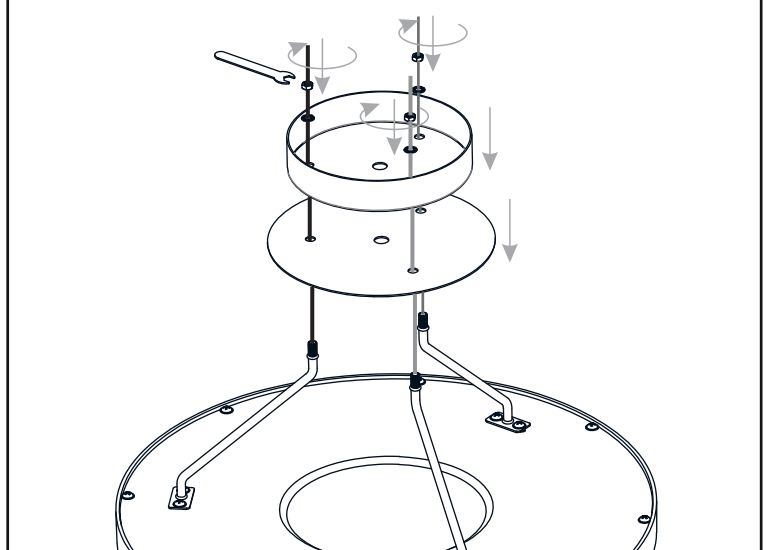
# INSTALLATION

## 1 Install Support Arms

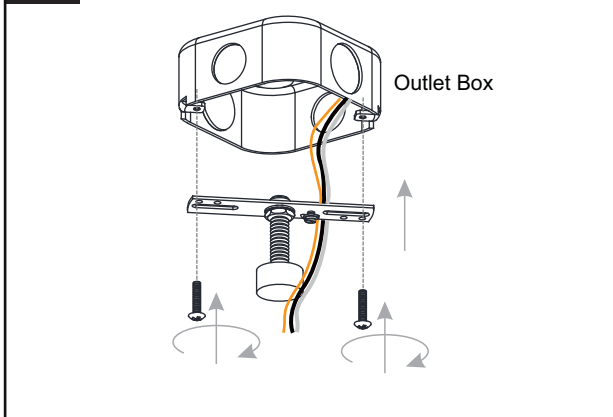
Carefully pull wires during assembly.



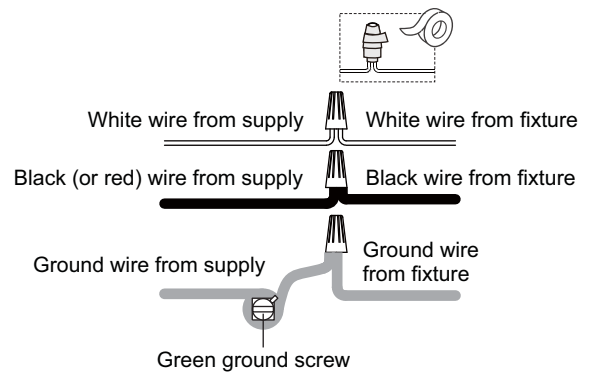
## 2 Install Floating and Ceiling Canopy



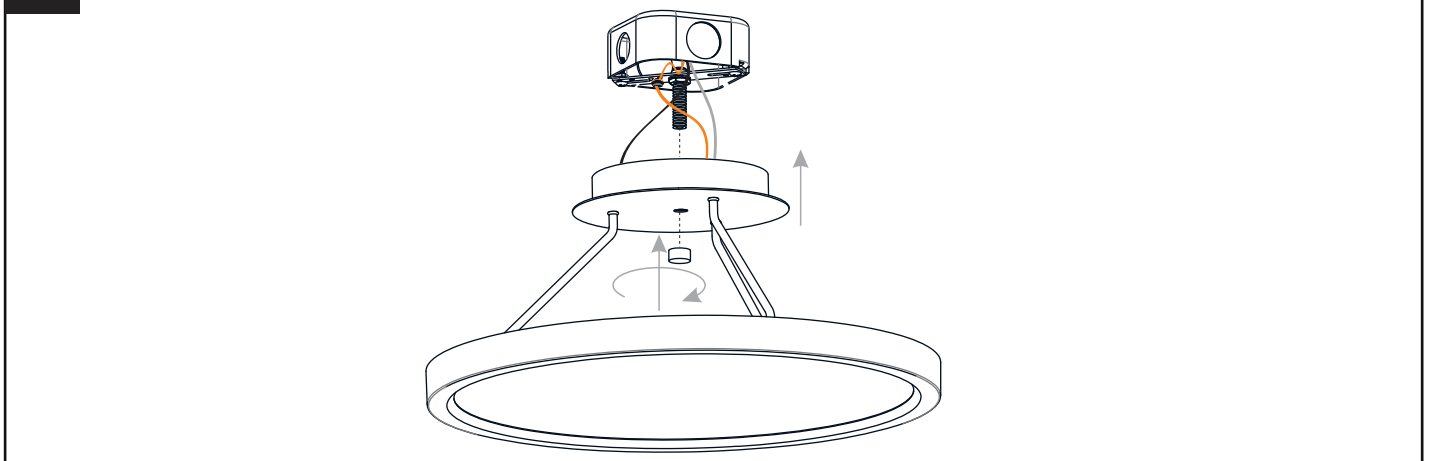
## 3 Install Crossbar Assembly



## 4 Wiring



## 5 Install Ceiling Canopy to Crossbar Assembly



Your installation is now complete! Restore electricity and save this sheet for future reference.