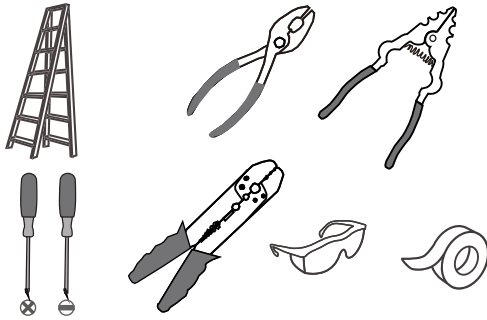
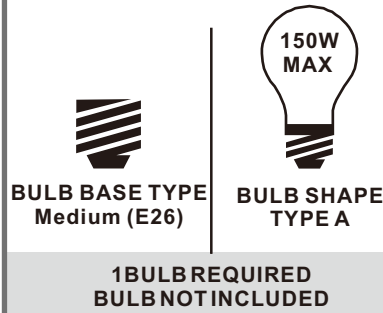


**Tools Required**



**Light Source**



**Fixture Height Adjustable  
23.5" to 119.5"**

**⚠ Warnings and Cautions**

Turn off the electricity at the circuit breaker before installation. Consult a licensed electrician if in doubt about installation.

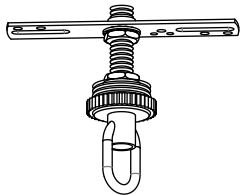
Turn off power to the fixture and allow the bulbs to cool before replacing.

**Package Contents**

**Preparation:** Identify and inspect all parts before beginning the installation.

Missing or damaged parts? Contact your original place of purchase.

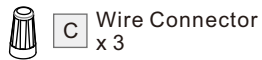
**PARTS BAG**



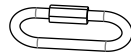
**A** Crossbar Assembly x 1



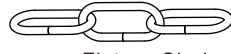
**B** Outlet Box Screw x 2



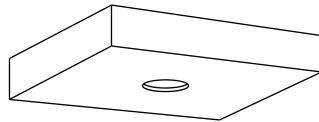
**C** Wire Connector x 3



**D** Quick Link x 1



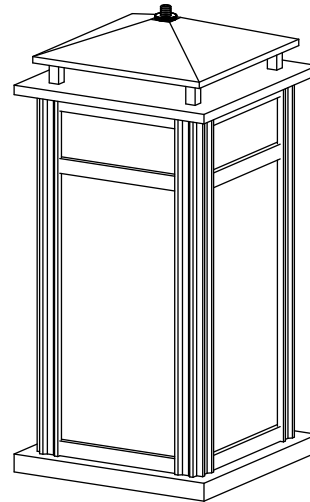
**E** Fixture Chain x 1



**F** Ceiling Canopy x 1



**G** Fixture Loop x 1



**H** Fixture Body x 1

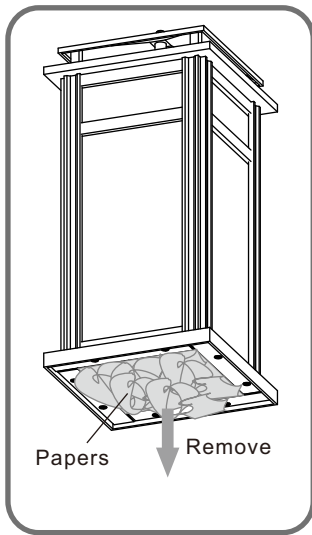
**Table of Contents**

Fixture loop	Crossbar Assembly	Fixture Chain	Wiring	Ceiling Canopy	Bulb
<b>STEP 1</b>	<b>STEP 2</b>	<b>STEP 3</b>	<b>STEP 4</b>	<b>STEP 5</b>	<b>STEP 6</b>

**STEP 1**

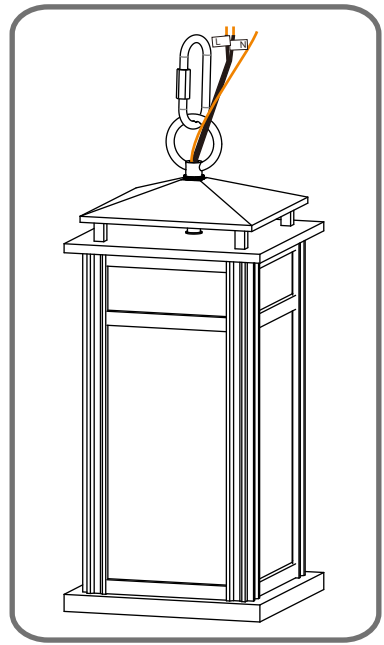
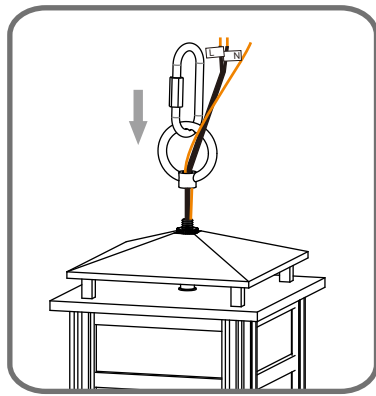
1

Remove papers inside of the cage



2

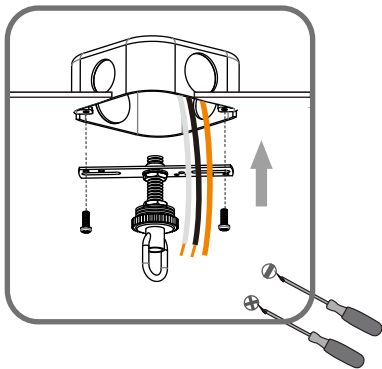
Install fixture loop



**STEP 2**

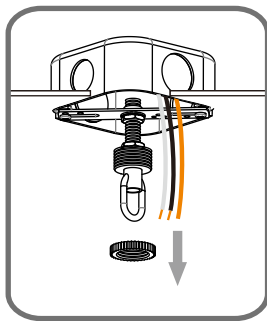
1

Step 1  
Install crossbar assembly

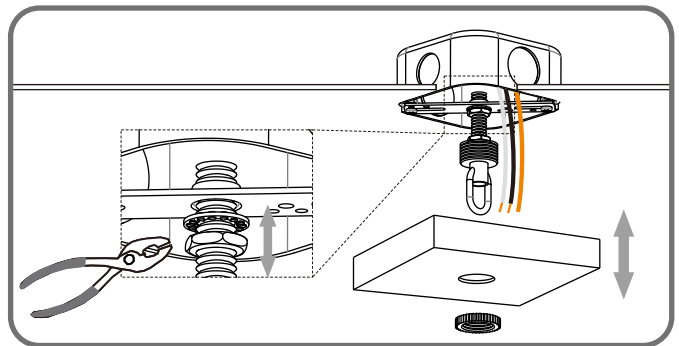


2

Step 2 - 3  
Test fitting ceiling canopy to nipple



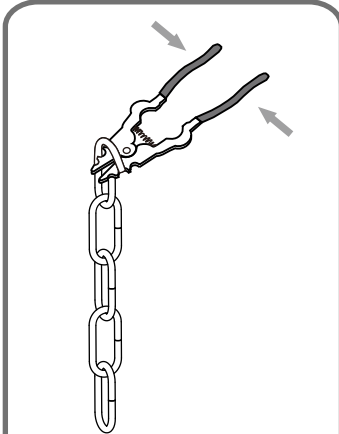
3



### STEP 3

1

Step 1  
Adjust fixture chain length

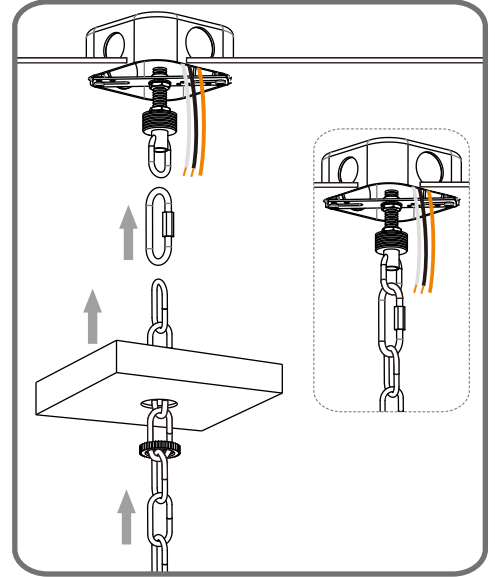
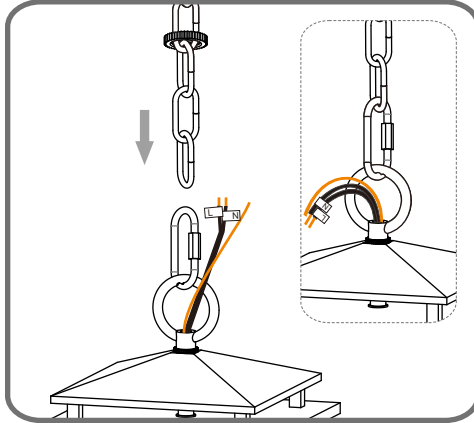


Suggested Chain Length:

- 8' ceiling: 12.5" Chain
- 9' ceiling: 23.5" Chain
- 10' ceiling: 34.5" Chain

2

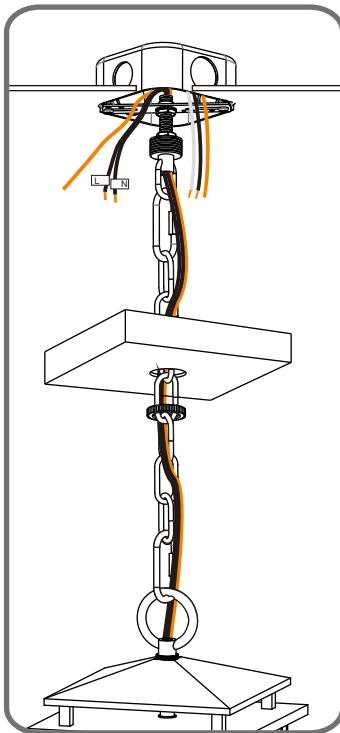
Step 2 - 3  
Install Fixture Chain



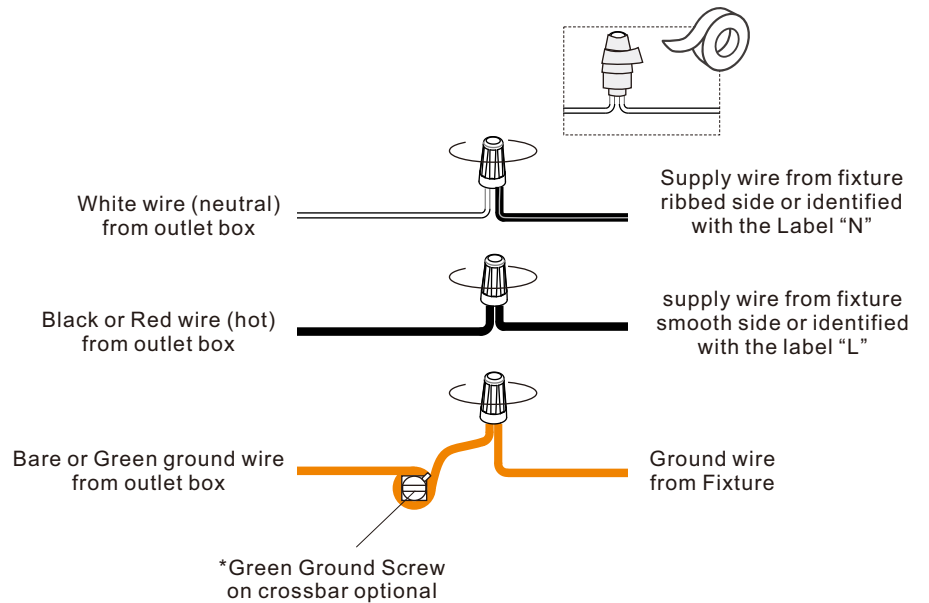
### STEP 4

1

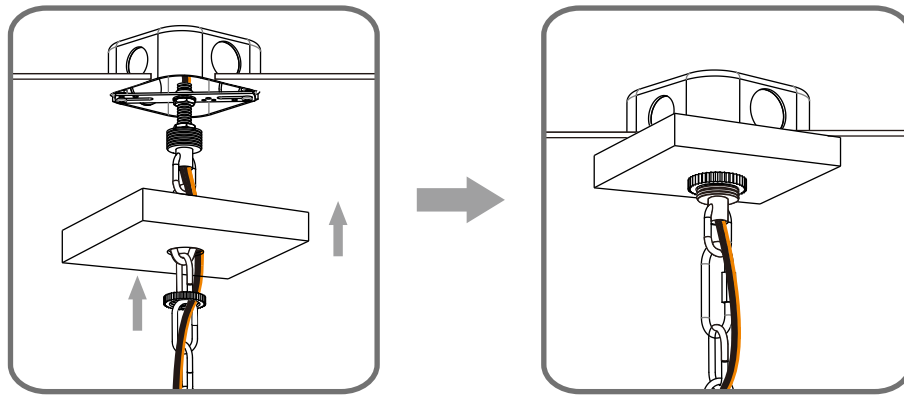
Step 1  
Feed the fixture wires  
through the loop



2



**STEP 5**



**STEP 6**

