

**SAFETY INFORMATION**

Please read and understand this entire manual before attempting to assemble, install or operate the product.

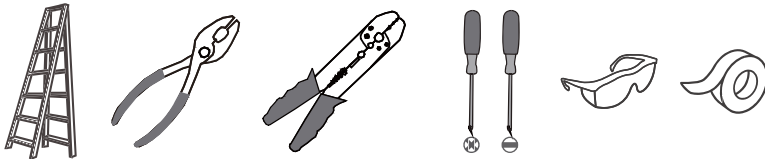
**WARNING**

- **RISK OF ELECTRIC SHOCK** - Before beginning installation, turn off electricity at the circuit breaker box or the main fuse box.

**CAUTION**

- For your safety, read instructions completely before beginning installation.
- If in doubt about electrical installation, consult a licensed electrician.
- **DO NOT** use the light on a timer, wall switch with dimming functions, or with an extension cord.
- **DO NOT** install this light fixture if it shares the circuit with another junction box (light fixture) and both are controlled by a single 3-way light switch.
- Refer to Page 3 for **SMRTLite APP** usage.

**TOOLS REQUIRED**



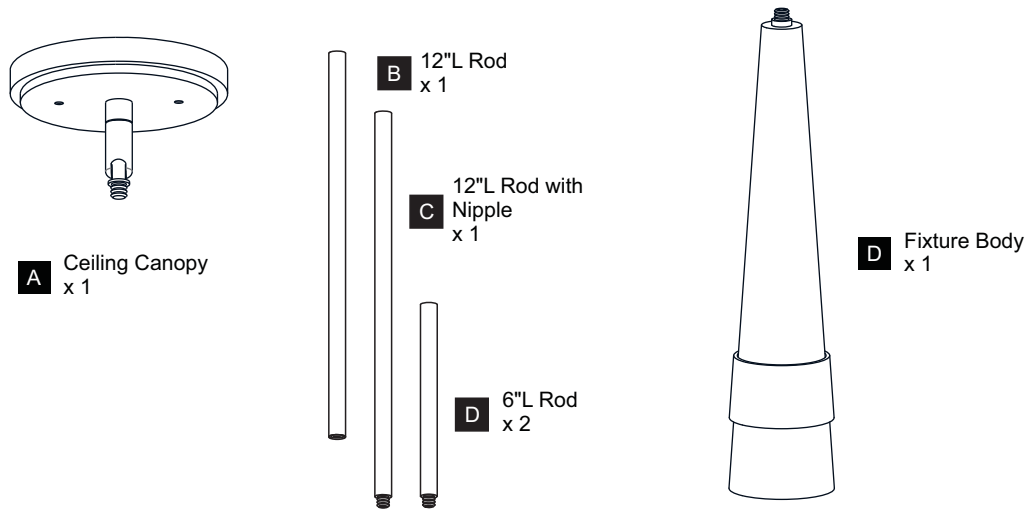
Ratings	120Vac, 60Hz	
	Model No.	Wattage
	QPP5579WS	9W

**CARE AND MAINTENANCE**

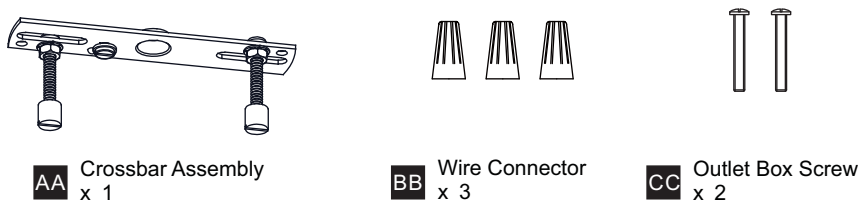
- Wipe clean using soft, dry cloth or static duster. Always avoid using harsh chemicals and abrasives to clean fixture as they may damage the finish.

If you need further assistance call Quozel Customer Care at 1-800-645-3184 (9:00am - 5:00pm EST), or visit us on-line at [www.quezel.com](http://www.quezel.com).

**PACKAGE CONTENTS**



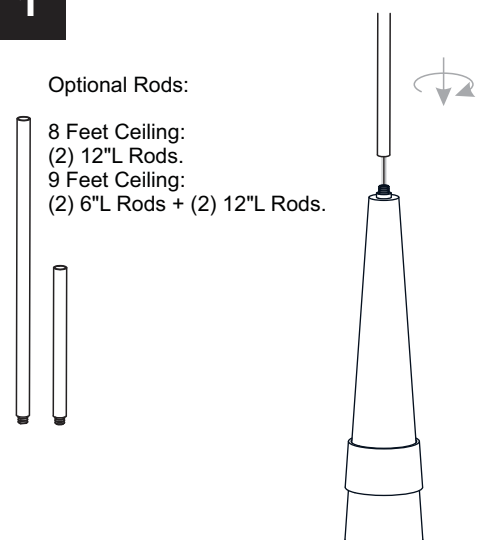
**MOUNTING HARDWARE**



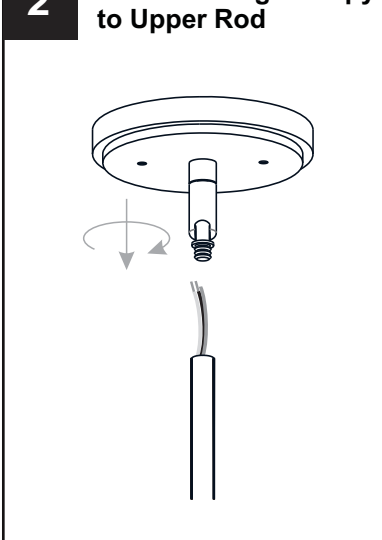
# INSTALLATION

**1 Install Rods**

Optional Rods:  
8 Feet Ceiling:  
(2) 12"L Rods.  
9 Feet Ceiling:  
(2) 6"L Rods + (2) 12"L Rods.

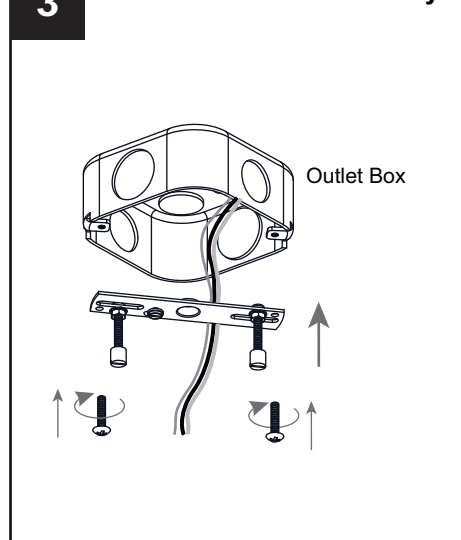


**2 Install Ceiling Canopy to Upper Rod**

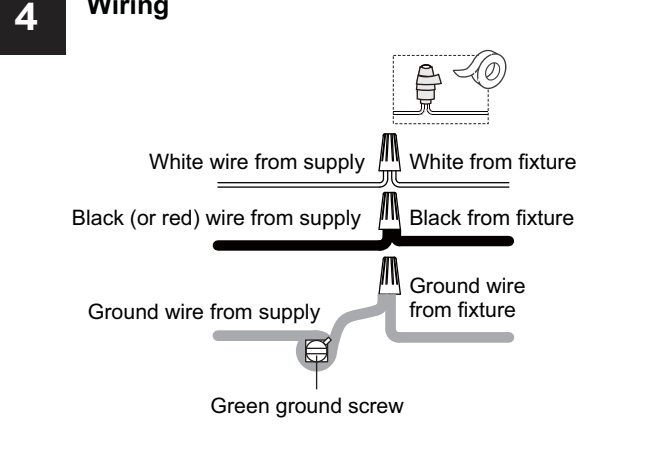


**3 Install Crossbar Assembly**

Outlet Box



**4 Wiring**



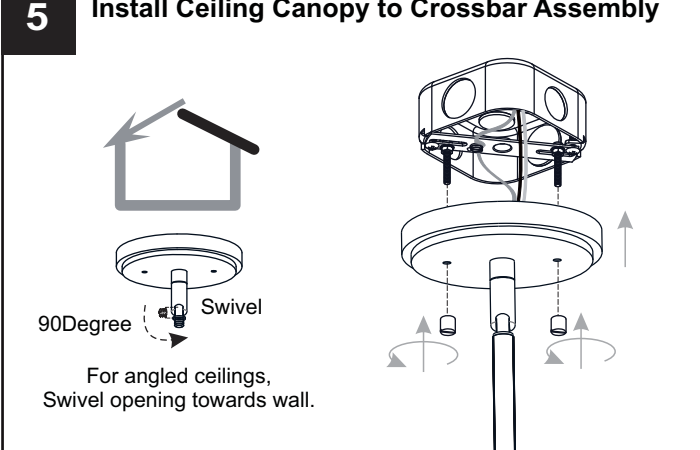
White wire from supply      White from fixture

Black (or red) wire from supply      Black from fixture

Ground wire from supply      Ground wire from fixture

Green ground screw

**5 Install Ceiling Canopy to Crossbar Assembly**



90Degree Swivel

For angled ceilings,  
Swivel opening towards wall.

**Your installation is now complete! Restore electricity and save this sheet for future reference.**