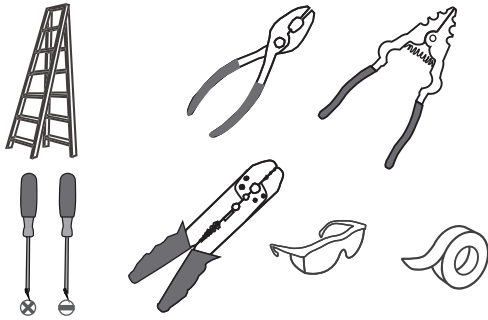


Tools Required



Light Source

12W
LED

**Fixture Height Adjustable
15" to 111"**

⚠ Warnings and Cautions

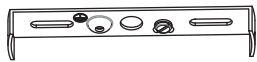
Turn off the electricity at the circuit breaker before installation. Consult a licensed electrician if in doubt about installation.

Package Contents

Preparation: Identify and inspect all parts before beginning the installation.

Missing or damaged parts? Contact your original place of purchase.

PARTS BAG



A Crossbar
x 1



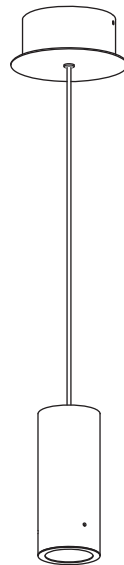
B Mounting Screw
x 2



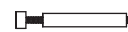
C Outlet Box Screw
x 2



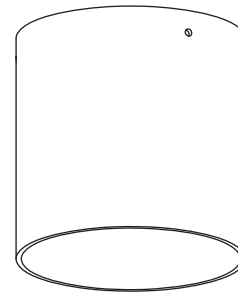
D Wire Connector
x 3



E Fixture Body
x 1



F Lock Rod
x 3



G Glass Shade
x 1

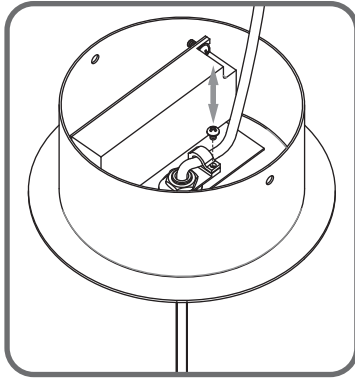
Table of Contents

Adjust Cable	Glass Shade	Crossbar	Wiring	Ceiling Canopy
STEP 1	STEP 2	STEP 3	STEP 4	STEP 5

STEP 1

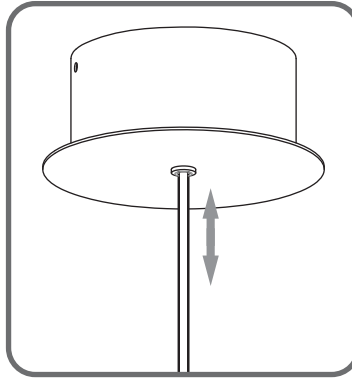
1

Step 1
Remove screw from cable clamp



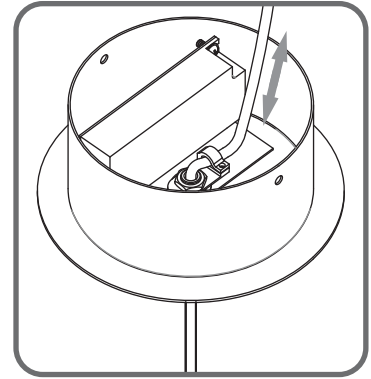
2

Adjust cable in or out of ceiling canopy according to fixture hanging height



3

Step 2 - 3



Step 4

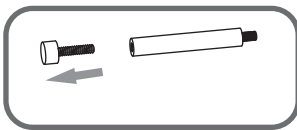
Reinstall screw to cable clamp

4

STEP 2

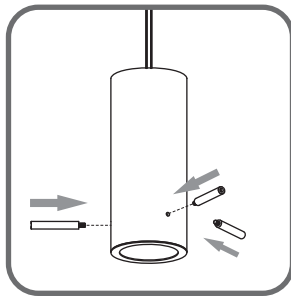
1

Remove lock screw



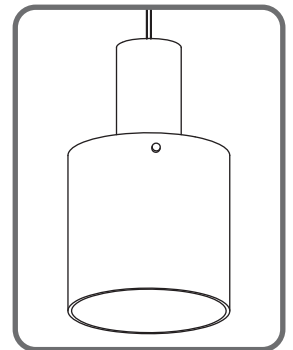
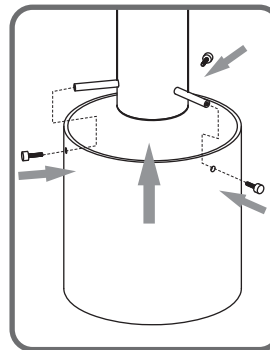
2

Install lock rod

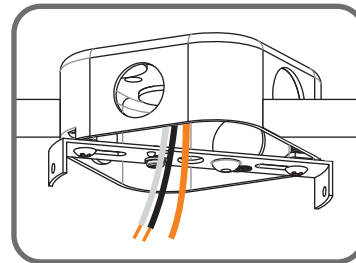
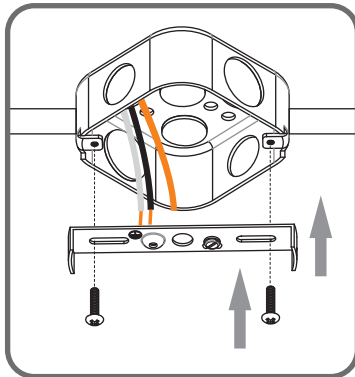


3

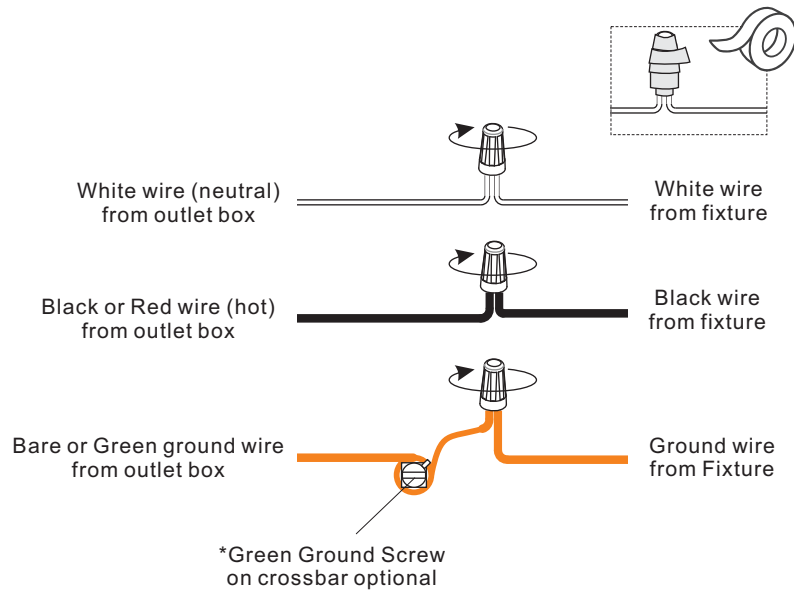
Install glass shade



STEP 3



STEP 4



STEP 5

