

SAFETY INFORMATION

Please read and understand this entire manual before attempting to assemble, install or operate the product.

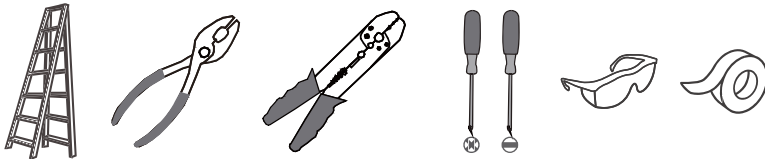
WARNING

- RISK OF ELECTRIC SHOCK - Before beginning installation, turn off electricity at the circuit breaker box or the main fuse box.

CAUTION

- For your safety, read instructions completely before beginning installation.
- If in doubt about electrical installation, consult a licensed electrician.
- **DO NOT** use the light on a timer, wall switch with dimming functions, or with an extension cord.
- **DO NOT** install this light fixture if it shares the circuit with another junction box (light fixture) and both are controlled by a single 3-way light switch.
- Refer to Page 3 for **SMRTLite APP** usage.

TOOLS REQUIRED



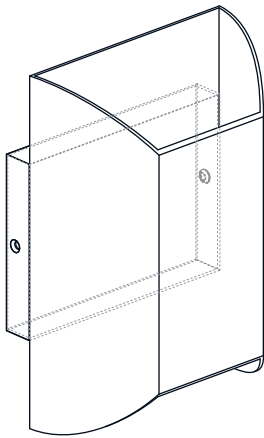
Ratings	120Vac, 60Hz	
	Model No.	Wattage
	BECK8406MB	20W
	BECK8407MB	20W

CARE AND MAINTENANCE

- Wipe clean using soft, dry cloth or static duster. Always avoid using harsh chemicals and abrasives to clean fixture as they may damage the finish.

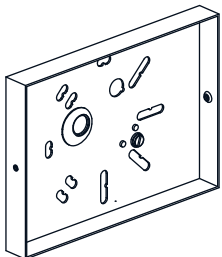
If you need further assistance call Quozel Customer Care at 1-800-645-3184 (9:00am - 5:00pm EST), or visit us on-line at www.quezel.com.

PACKAGE CONTENTS



A Fixture Body
x 1

MOUNTING HARDWARE



AA Inner Backplate
x 1

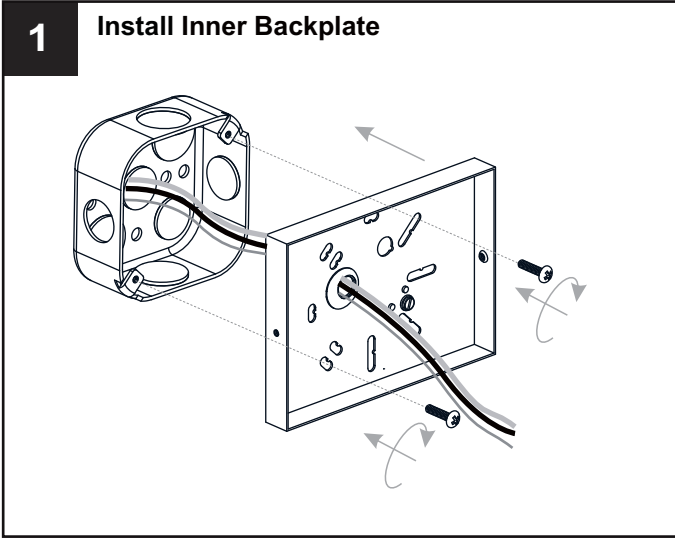
BB Mounting Screw
x 2

CC Wire Connector
x 3

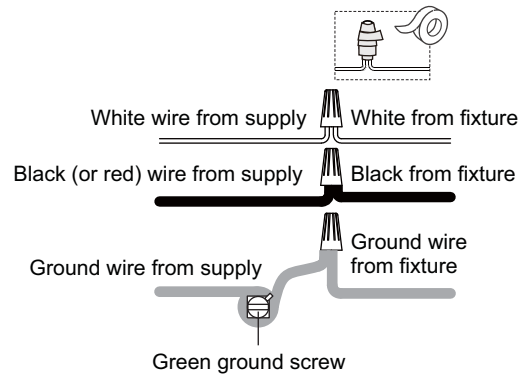
DD Outlet Box Screw
x 2

INSTALLATION

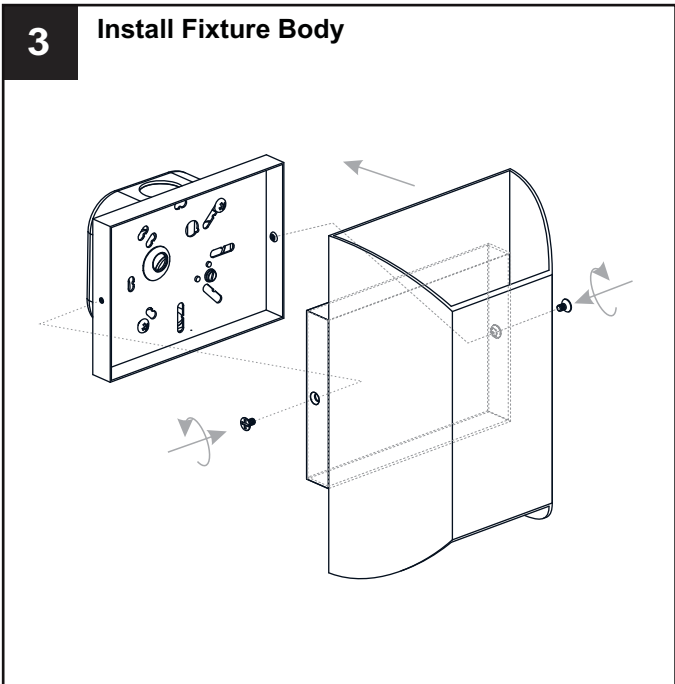
1 Install Inner Backplate



2 Wiring

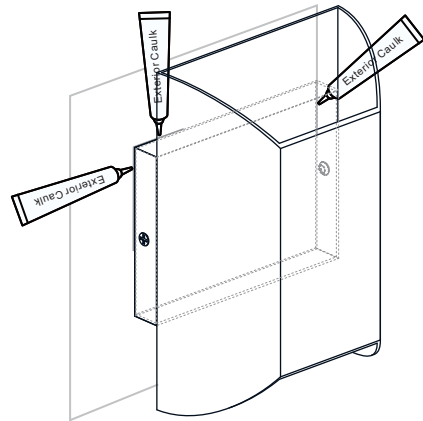


3 Install Fixture Body



4 Apply Caulking

* Note: Do NOT caulk the bottom of the backplate to allow moisture to escape.



Your installation is now complete! Restore electricity and save this sheet for future reference.