

Please go to [www.quoizel.com](http://www.quoizel.com) for product cleaning tips. Go to the **Care + Maintenance** selection.

**Tools Required:** Flathead screwdriver, Phillips screwdriver, pliers, wire cutters, wire strippers, electrical tape, safety glasses.

**Light Source:** (4) B10 Candelabra Base Bulbs 60W Maximum, Candelabra Base T8 Vintage Bulbs are recommended, bulbs not included.

**Fixture Hanging Height:** Minimum Hanging Height is 13", Maximum Hanging Height is 49".

**Estimated Assembly Time:** 20-30 minutes

**Preparation:** Identify and inspect all parts before beginning installation. Check package content list and diagrams below to ensure all parts are present. If any parts are missing or damaged, do not attempt to assemble, install, or operate the fixture. Contact your original place of purchase.

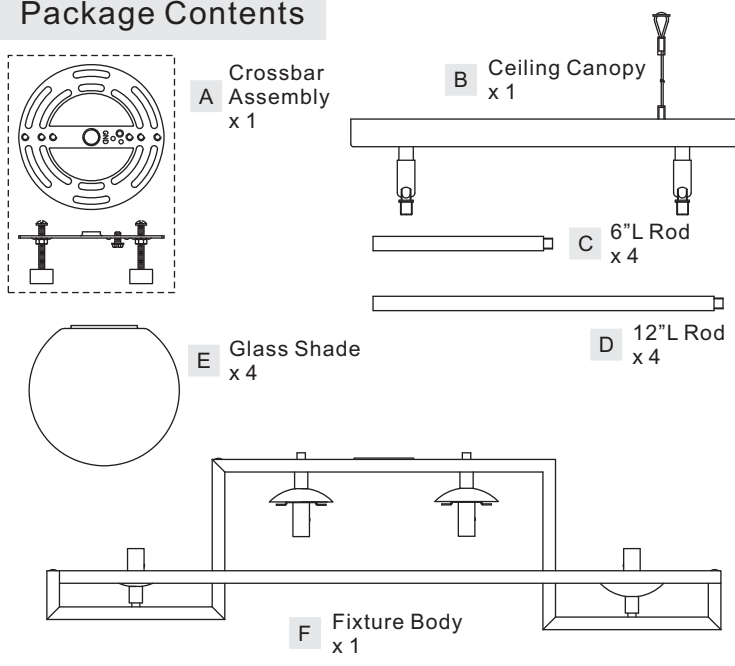
### ⚠ Warnings and Cautions

Turn off electricity at circuit breaker or main fuse box before installation. Consult a licensed electrician if in doubt.

These instructions are provided for your safety. It is very important you read them completely before installing the fixture. We strongly recommend that a licensed, professional electrician perform the installation.

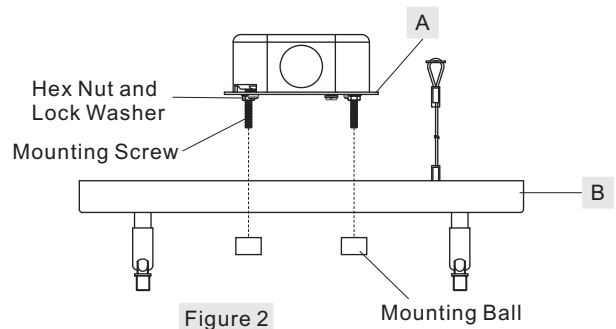
Disconnect fixture from power source before replacing bulbs. Make sure bulbs are given sufficient time to cool before removal.

### Package Contents



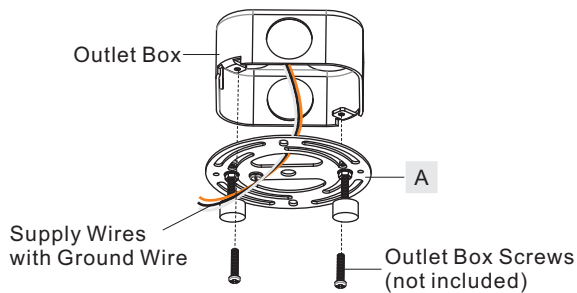
### STEP 2 - Test Fit the Ceiling Canopy to the Crossbar Assembly

A. Remove the mounting balls from the Crossbar Assembly (A). Place the Ceiling Canopy (B) onto the Crossbar Assembly (A) and secure with mounting balls. Note: The Ceiling Canopy (B) should be snug against the ceiling and held tight with the mounting balls. If it is not, adjust the length of the mounting screws on the Crossbar Assembly (A) by unscrewing the preassembled hex nut and lock washer and then screwing the mounting screws in or out of the crossbar until the correct length is achieved. Once the Ceiling Canopy (B) is secure, remove the mounting ball and Ceiling Canopy (B) and proceed to Step 3.



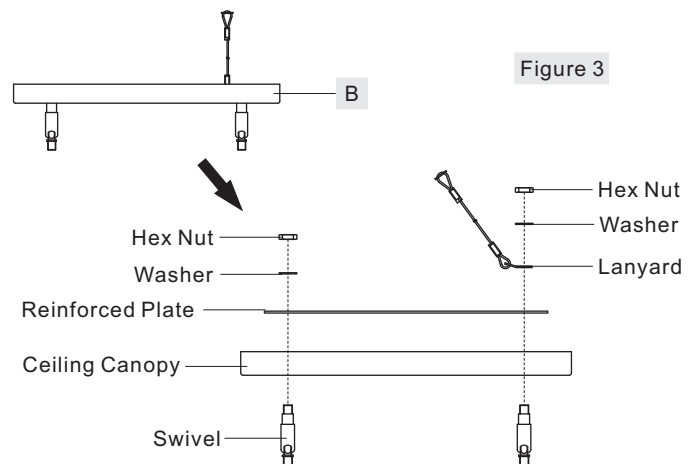
### STEP 1 - Installing the Crossbar Assembly

A. Pass the supply wires through the Crossbar Assembly (A). Attach the Crossbar Assembly (A) to the outlet box with the head of the green ground screw facing you. Secure the Crossbar Assembly (A) with outlet box screws (not included). Tighten until snug.



### STEP 3 - Separate Swivels from Ceiling Canopy

A. By using pliers, unlock hex nuts inside of the Ceiling Canopy (B) and remove swivels from the Ceiling Canopy (B).



#### STEP 4 - Install Rods and Ceiling Canopy to Fixture Body

- Determine the Rods (C/D) to be assembled to the Fixture Body (F) according to your hanging height.
- Pass the supply wires and ground wire through the chosen rods (C/D), one swivel, the Ceiling Canopy (B), reinforced plate, lanyard, one washer and one hex nut in turn.
- Thread the Fixture Body (G), the chosen Rods (B/C) and swivels together. Adjust two swivels to the same direction after tightening.
- Place the Ceiling Canopy (B), the reinforced plate, lanyard and washers onto swivels. Secure them together with hex nuts. Hand tighten until snug.

Suggested rods for Ceiling height :

8' ceiling : use (2) 12" rods

9' ceiling : use (2) 6" rods and (2) 12" rods

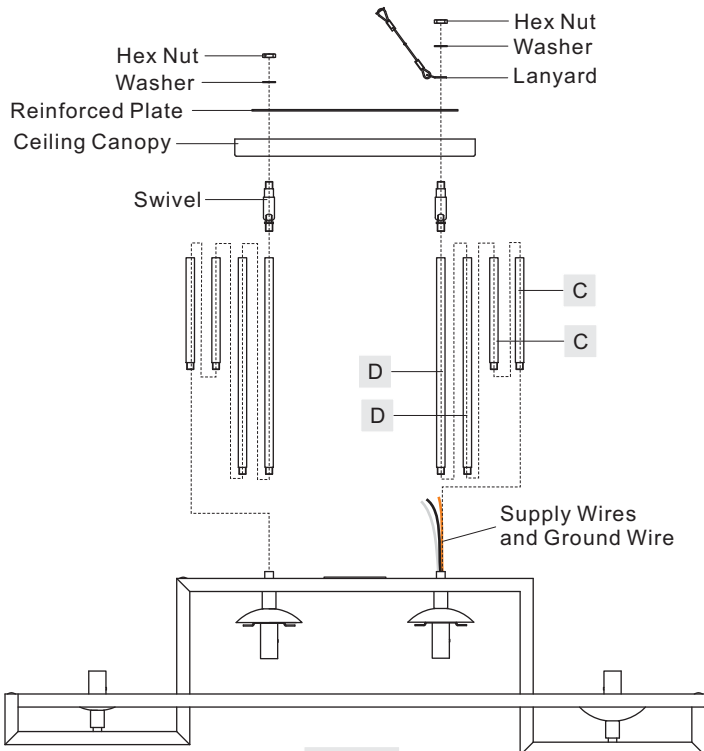


Figure 4

#### STEP 5 - Attach the Lanyard

- The purpose of the lanyard is to provide a means to support the fixture hands free from the junction box while connecting the electrical wires.
- Turn the Button Stop so it may be inserted into a Crossbar slot. Make sure the Button Stop is completely inside the Crossbar. Slowly release the fixture to make sure it is supported by the Button Stop. Proceed to the wiring steps in the next step. Once you are complete with the wiring, the Lanyard will push into the junction box when the fixture is placed for final mounting.

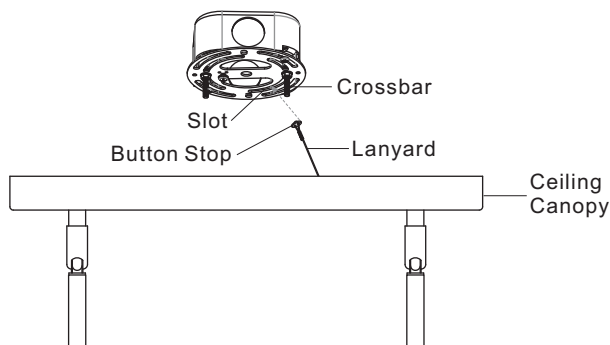


Figure 5

#### STEP 6 - Wire Connections

- Wrap bare or green ground wire around green ground screw on the crossbar, no less than 2 inches from the end of the wire. Tighten the green ground screw.
- Use standard wire connectors (not included) to make all wire connections. Twist connectors until wires are tightly joined together. Wrap each connection with approved electrical tape and carefully stuff all the connected wires into the Outlet Box.

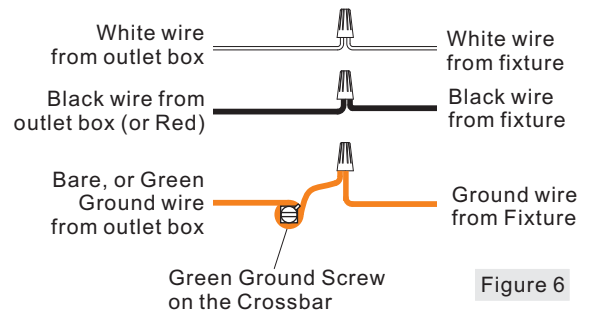


Figure 6

#### STEP 7 - Install the Ceiling Canopy to Crossbar Assembly

- Position the Ceiling Canopy (B) onto the Crossbar Assembly (A). Place the holes in the Ceiling Canopy (B) over the mounting screws. Secure the Ceiling Canopy (B) by using the mounting balls and hand tighten the mounting balls until snug.

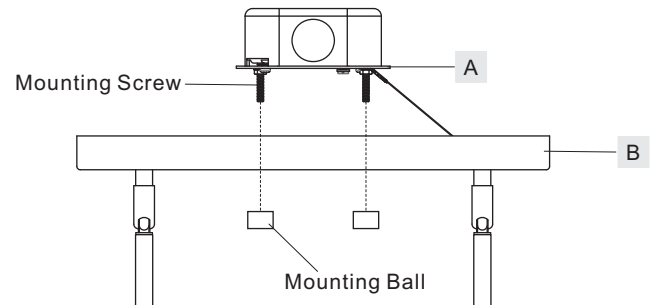


Figure 7

#### STEP 5 - Install Bulbs and Glass Shades

- Unlock the coupling so that the bobèche can be moved.
- Insert bulbs onto socket and screw snugly into place.
- Place the Glass Shade (E) over sockets and place the glass holder inside of the Glass Shade (E).
- Tighten the coupling to engage the Glass Shade (E) between the bobèche and the glass holder.

Your fixture is now assembled and ready to use. Enjoy!

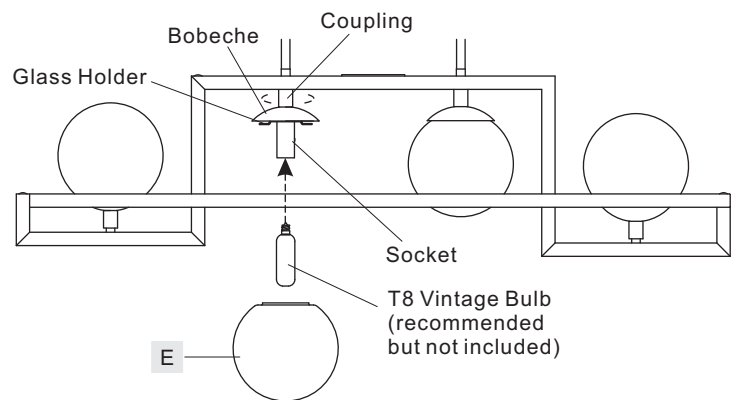


Figure 8

KAN440EK

FINISH: EARTH BLACK

NOTE: ALL DIMENSIONS ARE ROUNDED UP TO THE NEAREST 1/4"

