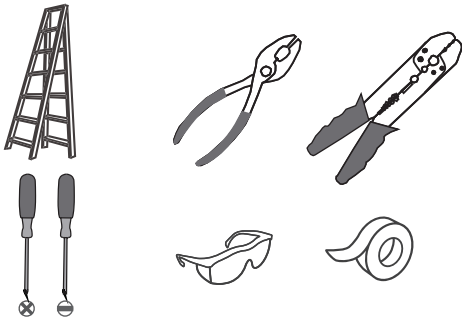
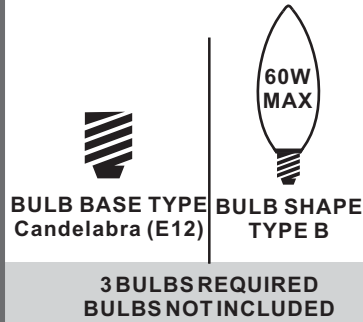


Tools Required



Light Source



Warnings and Cautions

Turn off the electricity at the circuit breaker before installation. Consult a licensed electrician if in doubt about installation.

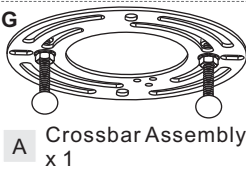
Turn off power to the fixture and allow the bulbs to cool before replacing.

Package Contents

Preparation: Identify and inspect all parts before beginning the installation.

Missing or damaged parts? Contact your original place of purchase.

PARTS BAG



A Crossbar Assembly x 1



B Outlet Box Screw x 2



C Wire Connector x 3



D Ceiling Canopy x 1



F Rod x 1

E Socket Assembly x 1

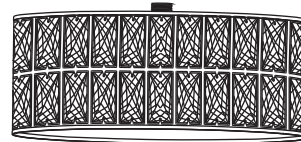
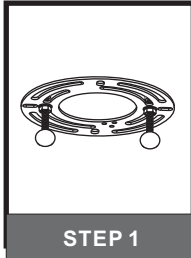


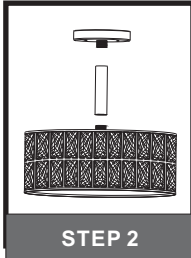
Table of Contents

Crossbar Assembly



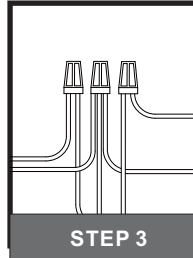
STEP 1

Socket Assembly



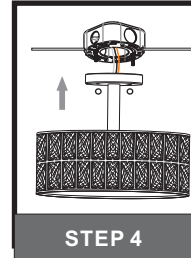
STEP 2

Wiring



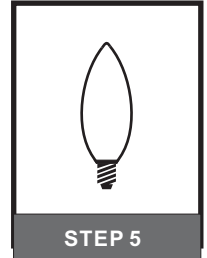
STEP 3

Ceiling Canopy



STEP 4

Bulb

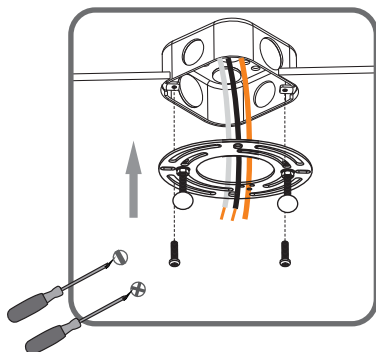


STEP 5

STEP 1

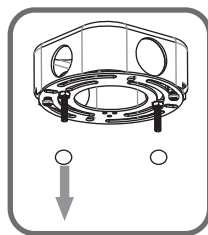
1

Step 1
Install crossbar assembly

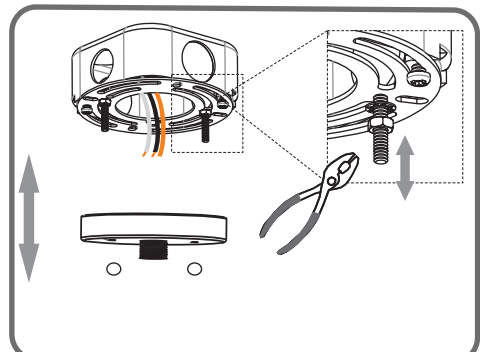


2

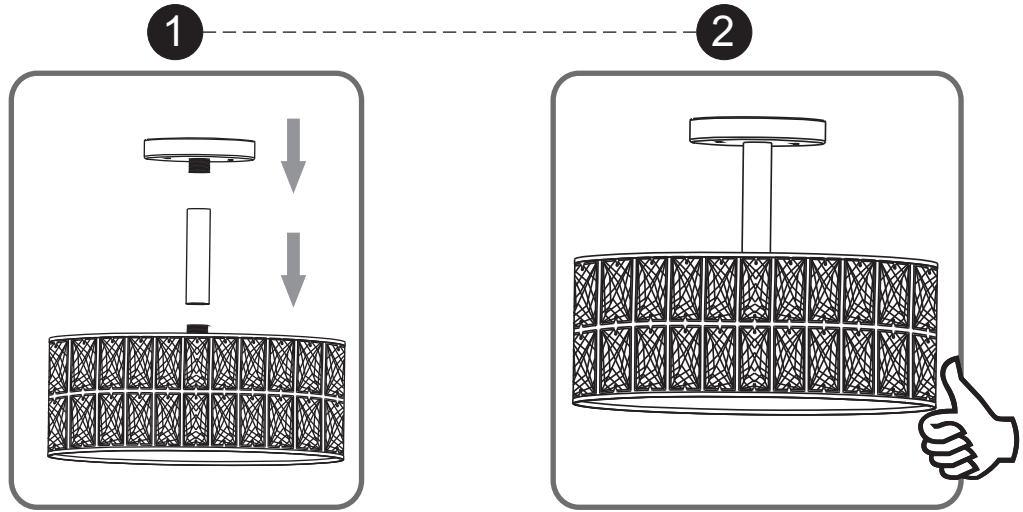
Step 2 - 3
Test fitting ceiling canopy to mounting screws



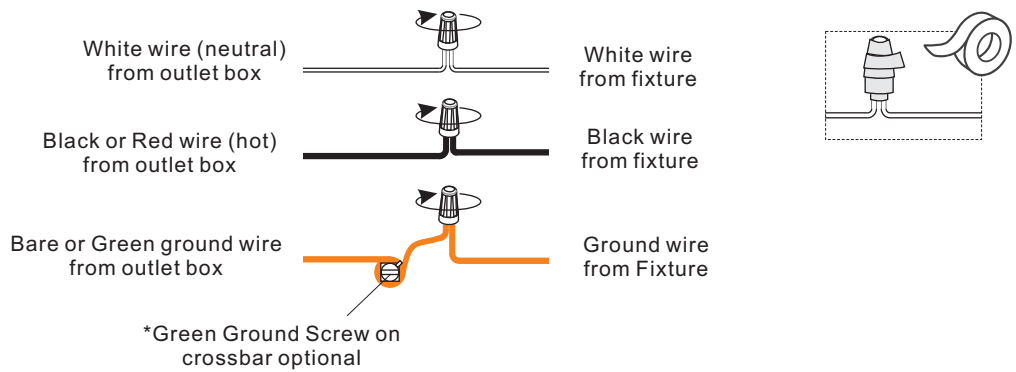
3



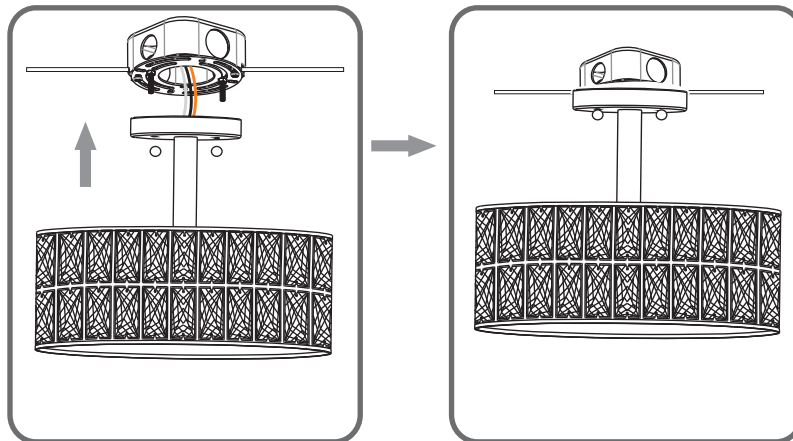
STEP 2



STEP 3



STEP 4



STEP 5

