

SAFETY INFORMATION

Please read and understand this entire manual before attempting to assemble, install or operate the product.

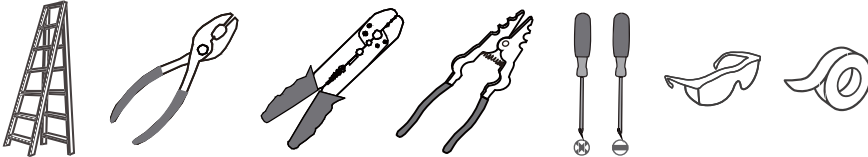
WARNING

- RISK OF ELECTRIC SHOCK - Before beginning installation, turn off electricity at the circuit breaker box or the main fuse box.
- RISK OF FIRE - Use bulbs specified by the markings and/or labels on the fixture.

CAUTION

- For your safety, read instructions completely before beginning installation.
- If in doubt about electrical installation, consult a licensed electrician.
- Turn off electricity to fixture before replacing the bulb(s).

TOOLS REQUIRED



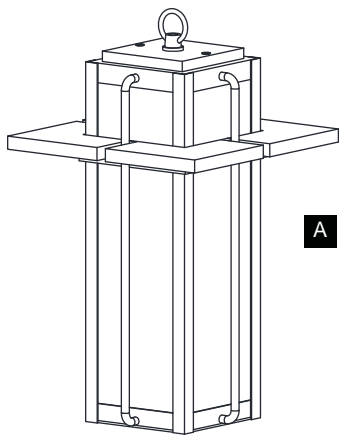
CARE AND MAINTENANCE

- Wipe clean using soft, dry cloth or static duster. Always avoid using harsh chemicals and abrasives to clean fixture as they may damage the finish.

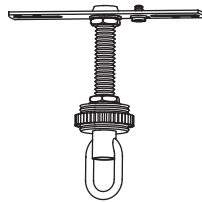
If you need further assistance call Quozel Customer Care at 1-800-645-3184 (9:00am – 5:00pm EST), or visit us on-line at www.quezel.com.

PACKAGE CONTENTS

MOUNTING HARDWARE



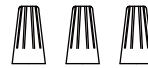
A Fixture Body
x 1



AA Crossbar Assembly
x 1



EE Quick Link
x 2



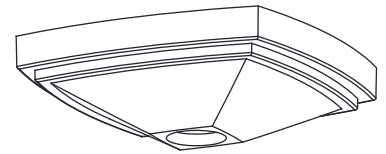
BB Wire Connector
x 3



CC Outlet Box Screw
x 2



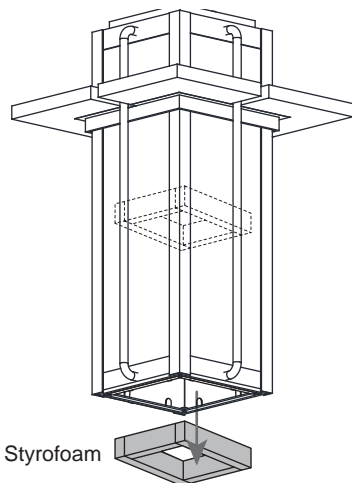
FF Fixture Chain
x 1



DD Ceiling Canopy
x 1

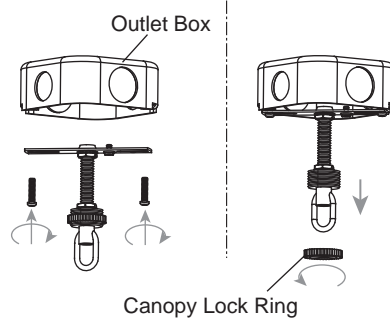
INSTALLATION

1 Remove Styrofoam Inside of Cage



Styrofoam

2 Install Crossbar Assembly

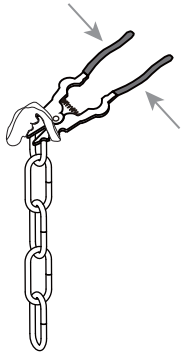


Outlet Box

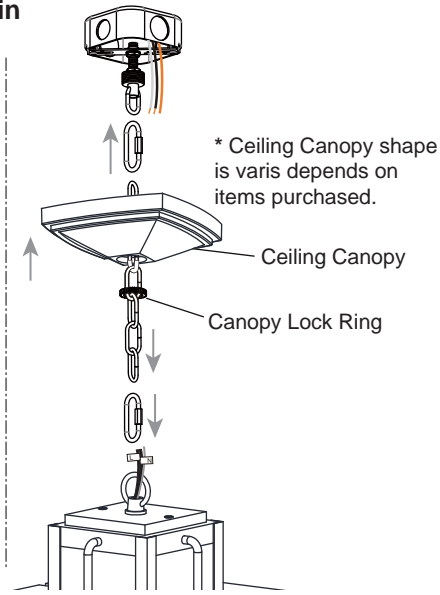
Canopy Lock Ring

INSTALLATION

3 Install Fixture Chain

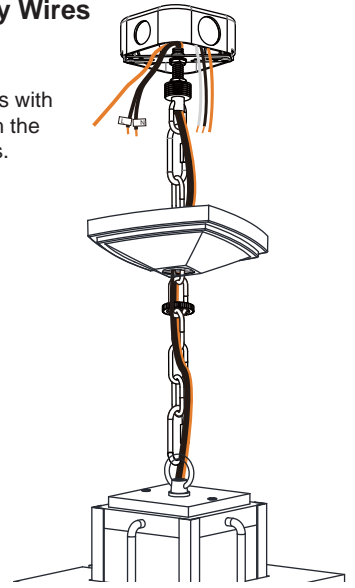


OPTIONAL: Adjust Chain as desired, using pliers and soft cloth (neither included) to remove extra links.

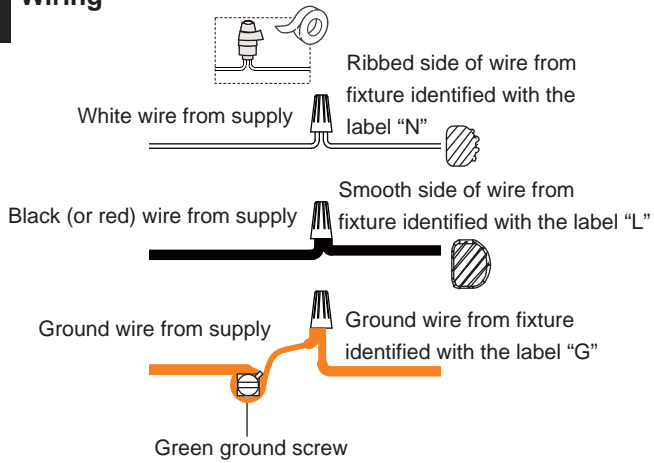


4 Pull Supply Wires

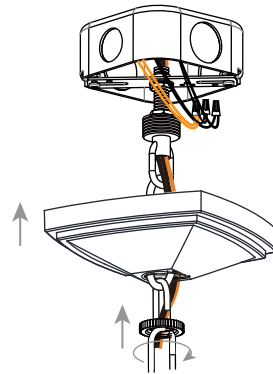
Pull the supply wires with ground wire through the chain alternate links.



5 Wiring



6 Install Ceiling Canopy

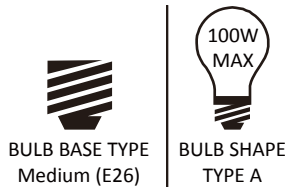


* Ceiling Canopy shape is varies depends on items purchased.

7 Install Bulb

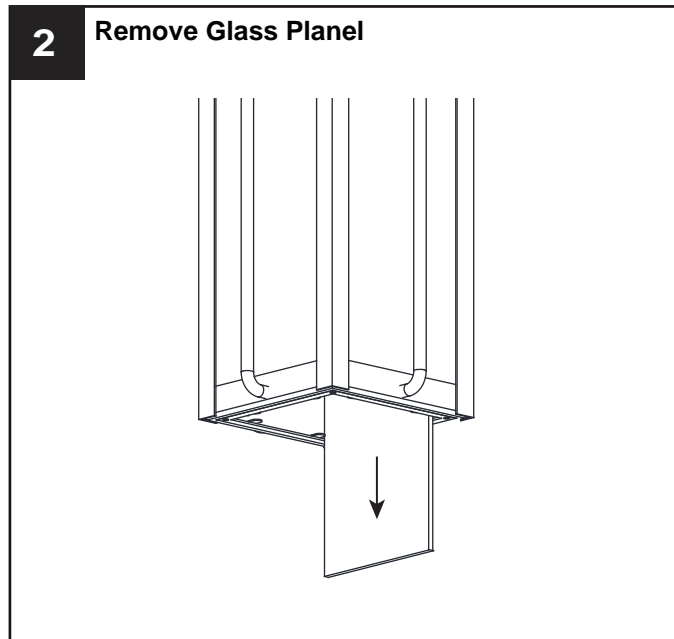
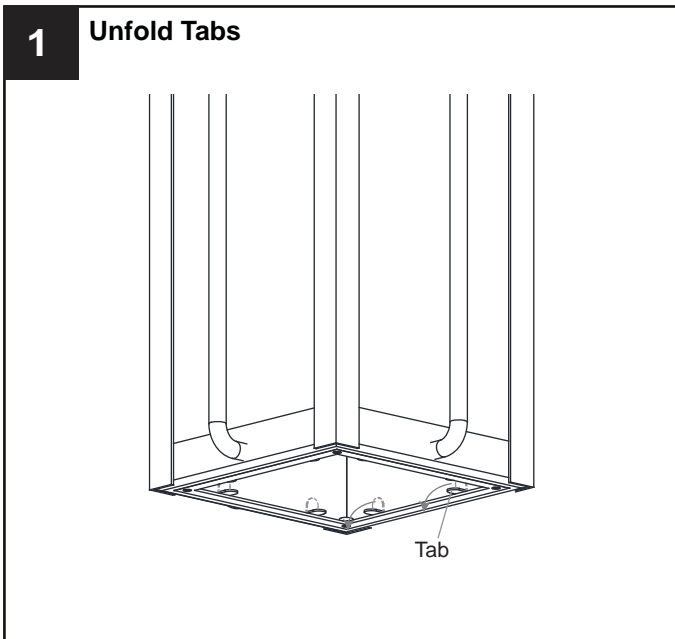
Install one correct bulb referring to fixture markings and/or labels for maximum wattage.

Recommended Bulb type (not included):



Your installation is now complete! Restore electricity and save this sheet for future reference.

HOW TO REPLACE GLASS PANEL



Reverse the above steps to install the replacement glass panel into the cage.