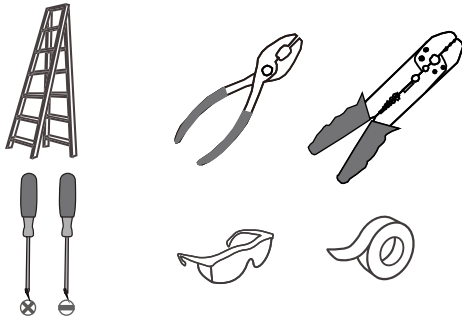
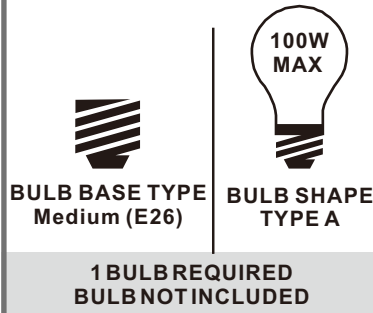


Tools Required



Light Source



**Fixture Height Adjustable
10.5" to 48.5"**

⚠ Warnings and Cautions

Turn off the electricity at the circuit breaker before installation. Consult a licensed electrician if in doubt about installation.

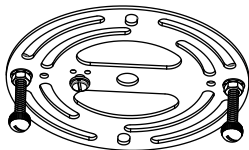
Turn off power to the fixture and allow the bulbs to cool before replacing.

Package Contents

Preparation: Identify and inspect all parts before beginning the installation.

Missing or damaged parts? Contact your original place of purchase.

PARTS BAG



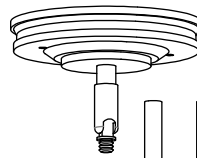
A Crossbar Assembly x 1



B Outlet Box Screw x 2



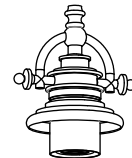
C Wire Connector x 3



D Ceiling Canopy Assembly x 1

E 6" L Rod x 2

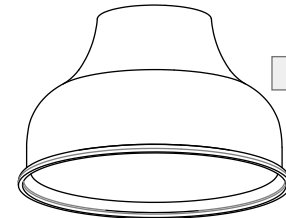
F 12" L Rod x 2



G Fixture Body x 1



H Ring x 1



I Shade x 1

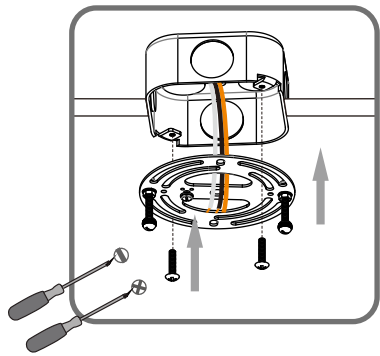
Table of Contents

Crossbar Assembly	Ceiling Canopy Assembly & Downrod	Wiring	Ceiling Canopy	Ring & shade	Bulb
STEP 1	STEP 2	STEP 3	STEP 4	STEP 5	STEP 6

STEP 1

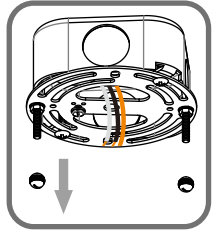
1

Step 1
Install crossbar assembly

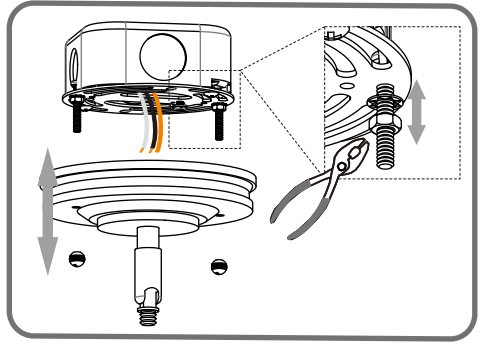


2

Step 2 - 3
Test fitting ceiling canopy to mounting screws



3



STEP 2

OPTION 1

Pendant — GRTS1508PN

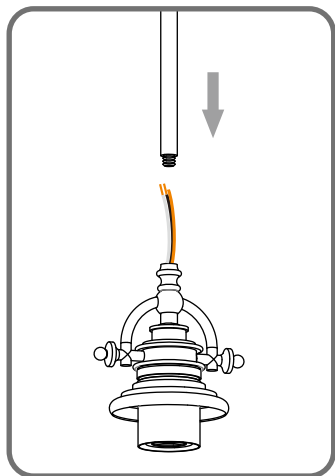
Optional Rods

8' ceiling:
(2) 12" L rods

9' ceiling:
(2) 6" L + (2) 12" L rods

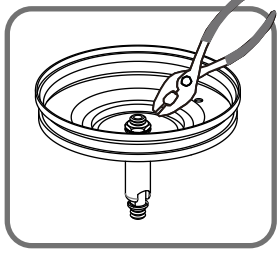
1

Install rods



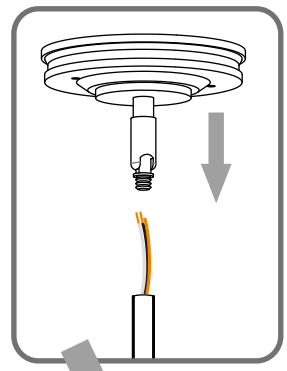
2

Tighten hex nut inside of the ceiling canopy



3

Install Ceiling Canopy

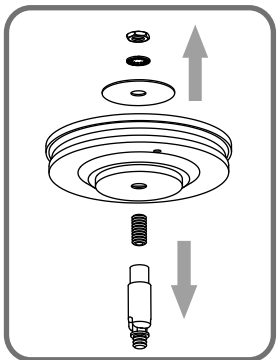


OPTION 2

Semi-flush — GRTS1708PN

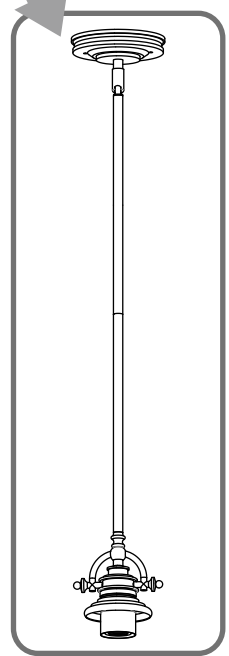
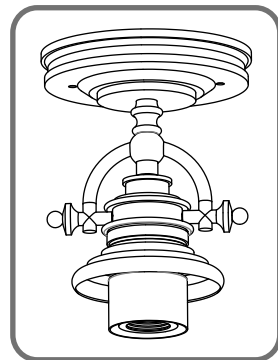
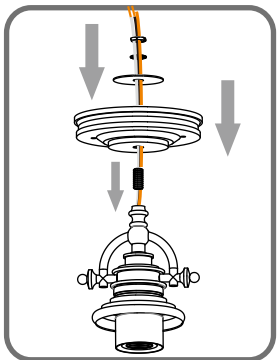
1

Remove swivel

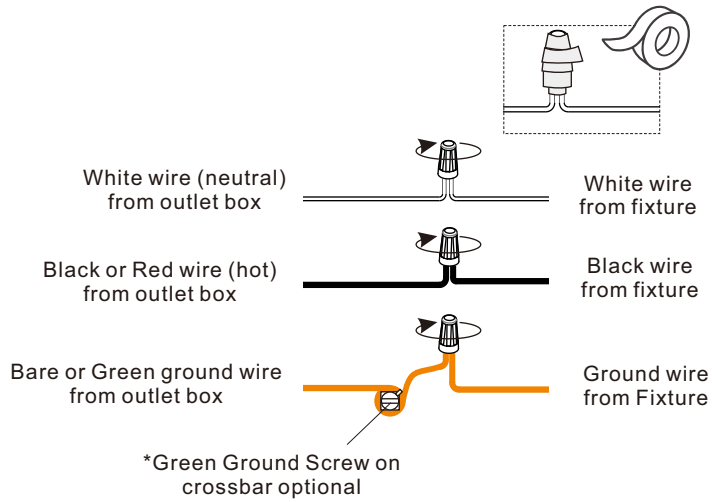


2

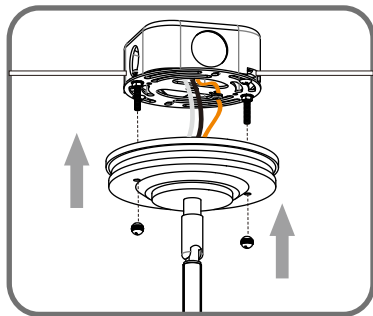
Install ceiling canopy



STEP 3

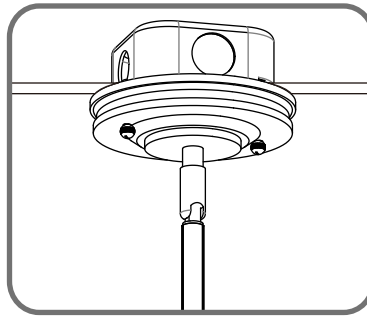


STEP 4



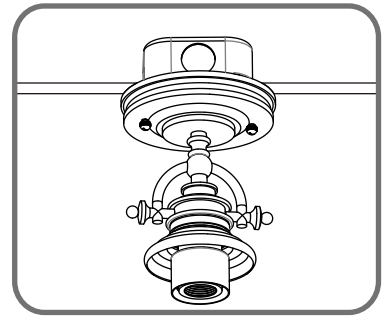
OPTION 1

GRTS1508PN



OPTION 2

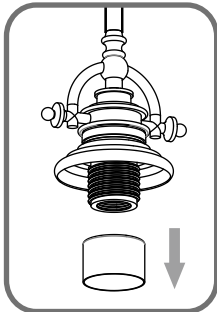
GRTS1708PN



STEP 5

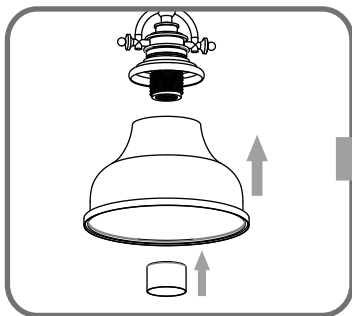
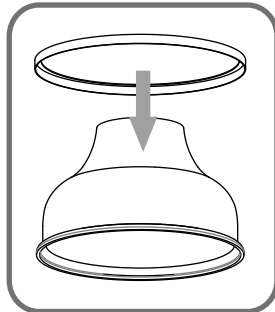
1

Remove socket collar



2

Place the ring

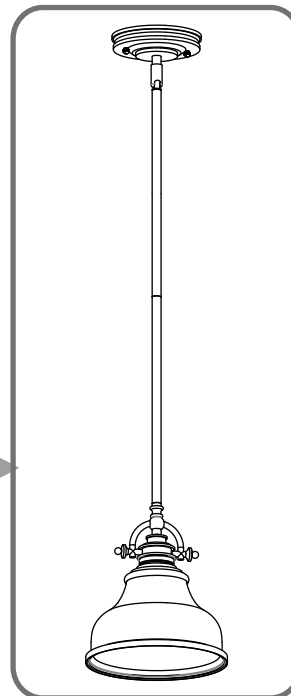


Install shade with ring

3

OPTION 1

GRTS1508PN

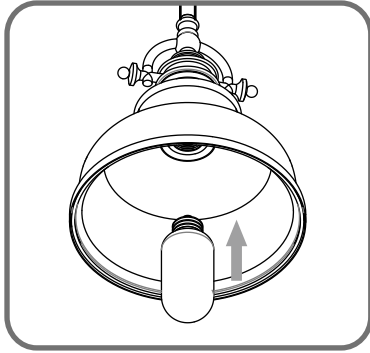


OPTION 2

GRTS1708PN

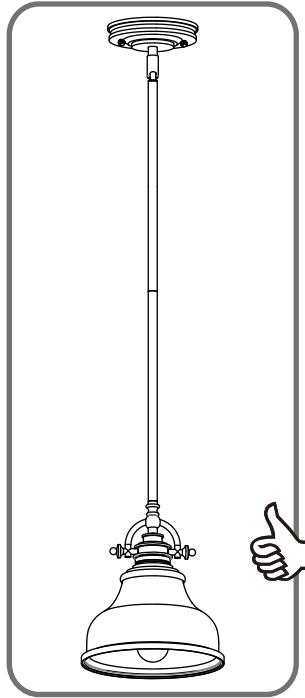


STEP 6



OPTION 1

GRTS1508PN



OPTION 2

GRTS1708PN

