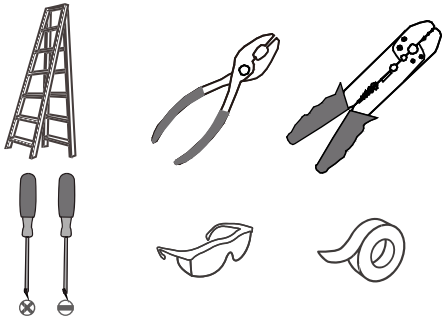
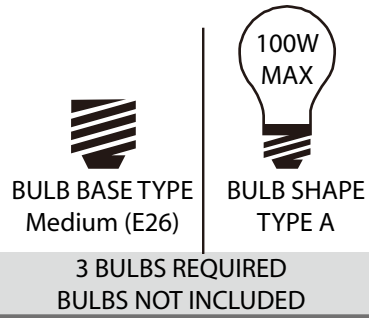


Tools Required



Light Source



Warnings and Cautions

Turn off the electricity at the circuit breaker before installation. Consult a licensed electrician if in doubt about installation.

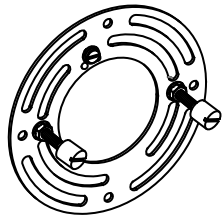
Turn off power to the fixture and allow the bulbs to cool before replacing.

Package Contents

Preparation: Identify and inspect all parts before beginning the installation.

Missing or damaged parts? Contact your original place of purchase.

PARTS BAG



A Crossbar Assembly x 1



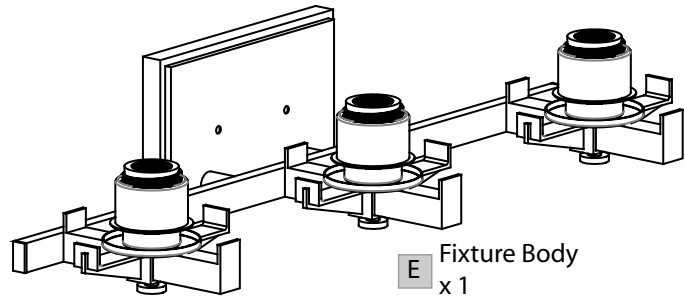
B Alternate Mounting Screw x 2



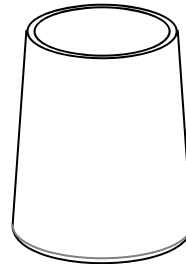
C Outlet Box Screw x 2



D Wire Connector x 3



E Fixture Body x 1



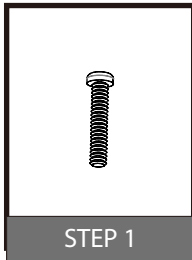
G Glass Shade x 3



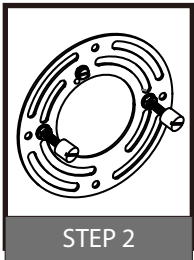
F Shrink-ring x 3

Table of Contents

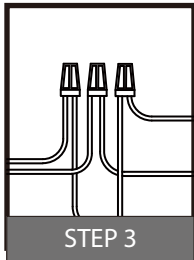
Alternate Mounting Screw



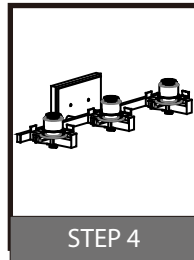
Crossbar Assembly



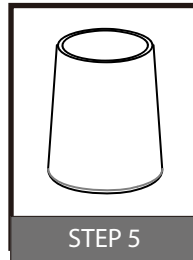
Wiring



Fixture Body



Glass Shade

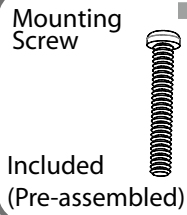


Shrink-ring & Bulb



STEP 1

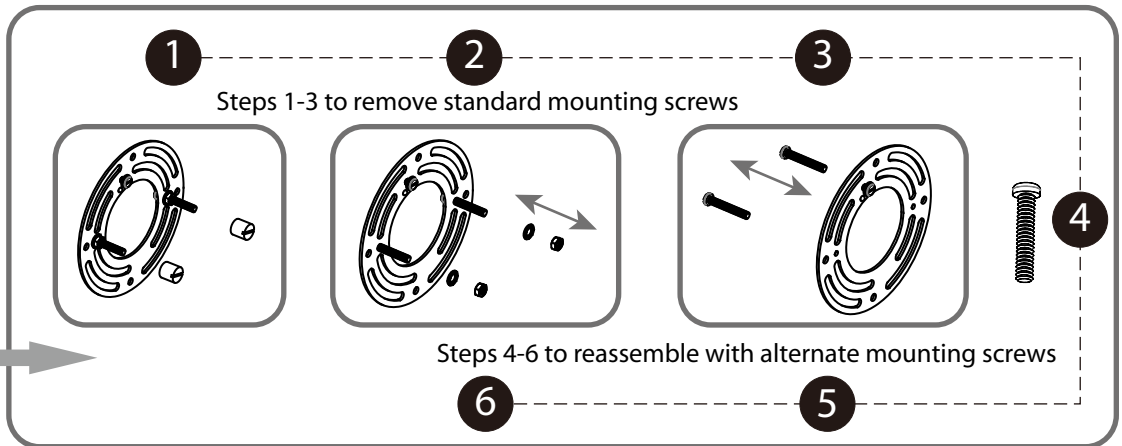
OPTION 1



OPTION 2



Skip to next step

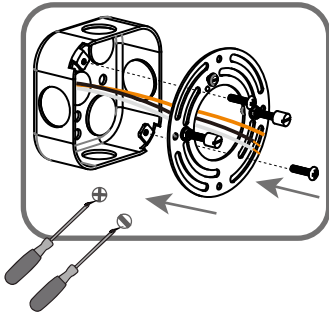


STEP 2

1

Step 1

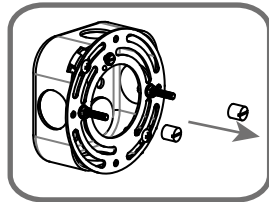
Install crossbar assembly



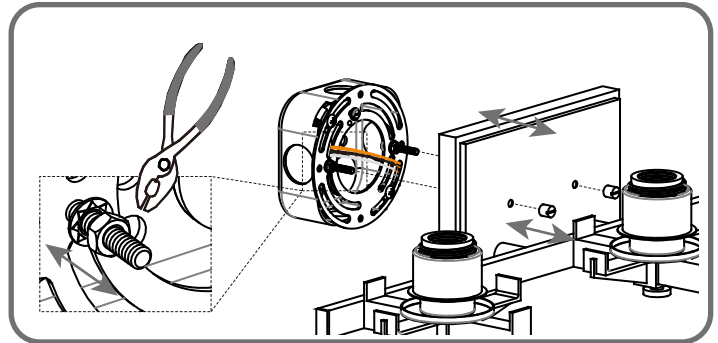
2

Step 2-3

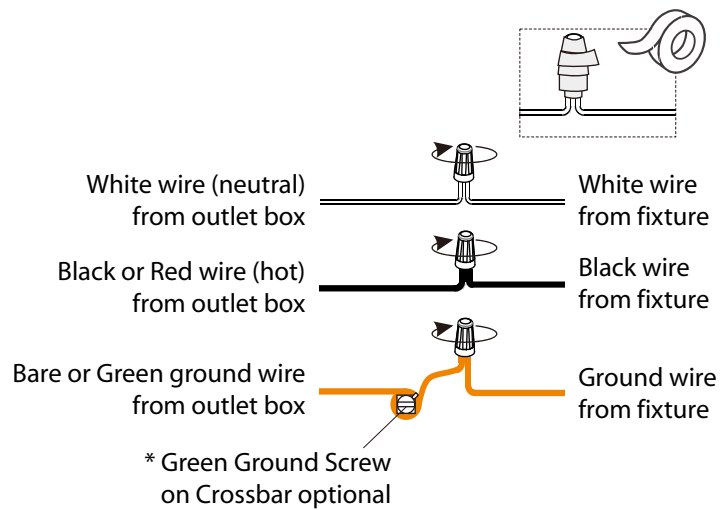
Tes fitting backplate to mounting screws



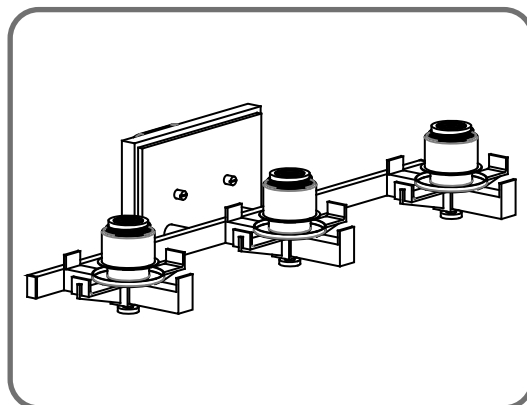
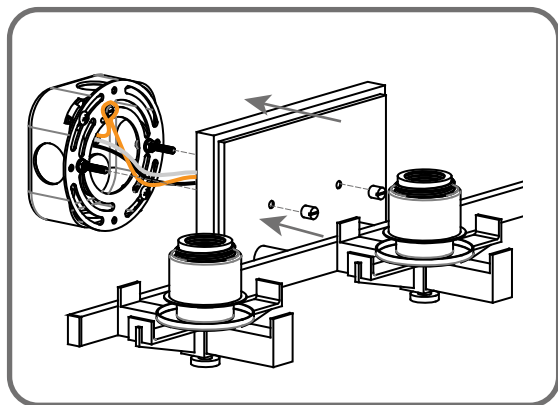
3



STEP 3



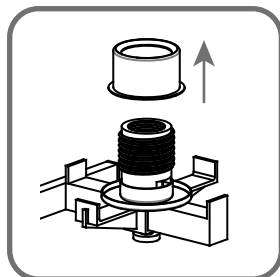
STEP 4



STEP 5

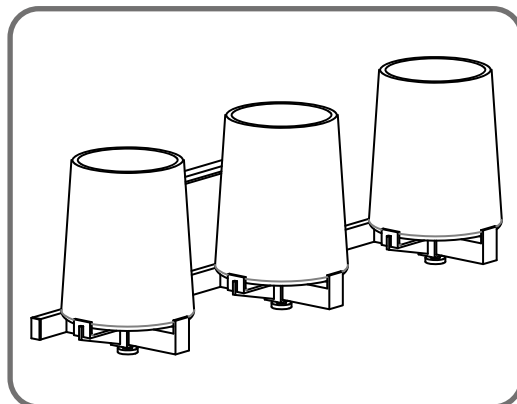
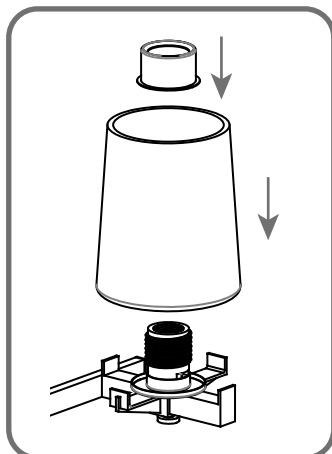
1

Remove socket collar



2

Install glass shade



STEP 6

The gap of the shrink-ring is against the backplate.

